

SERVICE MANUAL

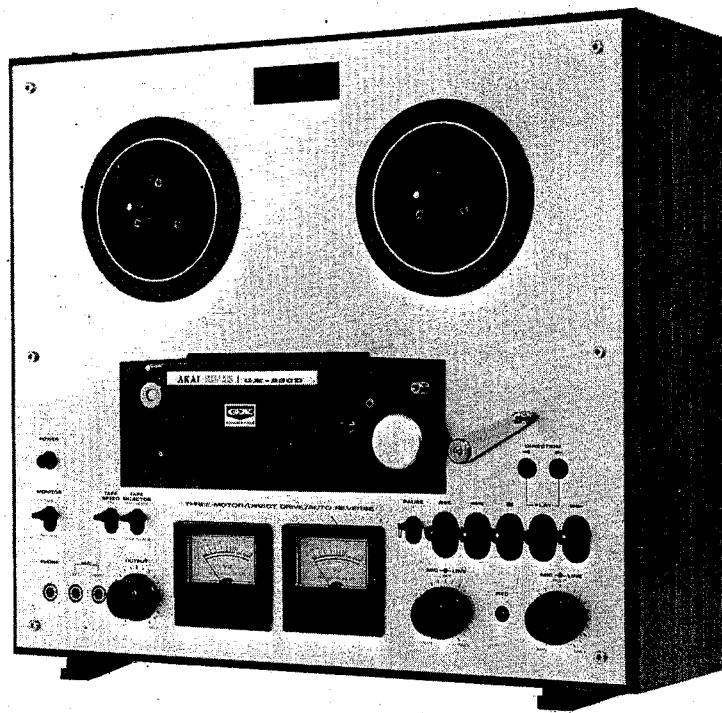
PARTS LIST 

PRIDE IN QUALITY

AKAI STEREO TAPE DECK

MODEL **GX-230D**

ALSO APPLICABLE TO MODEL GX-230



**STEREO TAPE DECK
MODEL GX-230D**

ALSO APPLICABLE TO MODEL GX-230

SECTION 1	SERVICE MANUAL	1
SECTION 2	PARTS LIST	23
SECTION 3	SCHEMATIC DIAGRAM	44

SECTION 1

SERVICE MANUAL

TABLE OF CONTENTS

I. SPECIFICATIONS	2
II. DISMANTLING OF UNIT	4
III. ARRANGEMENT OF MAIN PARTS	6
IV. MECHANISM ADJUSTMENT	7
1. ADJUSTMENT OF PINCH WHEEL PRESSURE	7
2. BRAKE TENSION ADJUSTMENT	8
3. ADJUSTMENT OF REEL TABLE HEIGHT	9
4. ADJUSTMENT OF CAPSTAN MOTOR SHAFT LOOSE PLAY	9
5. ADJUSTMENT OF IMPEDANCE ROLLER SHAFT LOOSE PLAY	10
6. HEIGHT ADJUSTMENT OF TAPE GUIDE ON TENSION ARM	10
7. ADJUSTMENT OF TENSION ARM MICROSWITCH SW-9 POSITION	11
8. ADJUSTMENT OF RECORDING SLIDE SWITCH (SW-10) TIMING	11
9. ADJUSTMENT OF FF MICROSWITCH (SW-5) ACTUATOR POSITION	12
10. ADJUSTMENT OF PLAY MICROSWITCH (SW-7 and SW-11) ACTIVATOR POSITION	12
V. HEAD ADJUSTMENT	13
VI. AMPLIFIER SYSTEM ADJUSTMENT	15
1. POWER SUPPLY VOLTAGE ADJUSTMENT	15
2. TAPE SPEED ADJUSTMENT	15
3. RECORDING, PLAYBACK AMPLIFIER ADJUSTMENT	16
VII. D.C. RESISTANCE OF VARIOUS COILS	17
VIII. CLASSIFICATION OF VARIOUS P.C. BOARDS	17
1. P.C. BOARD INTERCHANGEABILITY CHART	17
2. COMPOSITE VIEWS OF COMPONENTS	18

For basic adjustments, measuring methods, and operating principles, refer to
GENERAL OPERATING PRINCIPLES AND ADJUSTMENTS.

I. SPECIFICATIONS

An asterisk next to a figure indicates the minimum guaranteed performance.

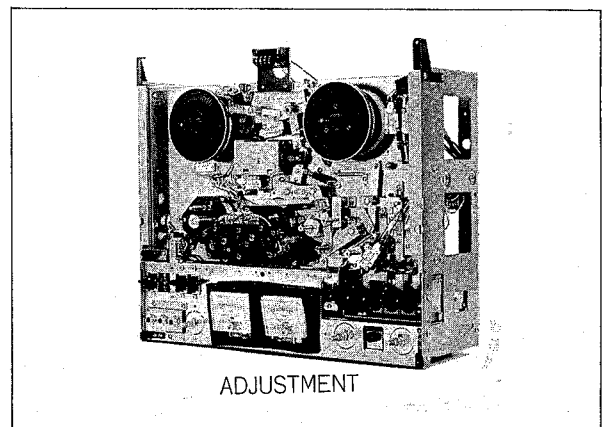
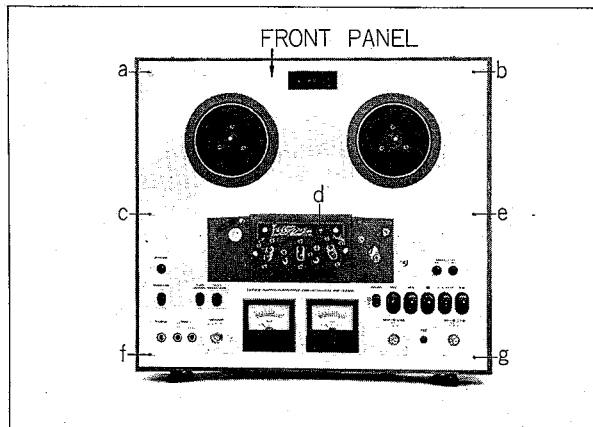
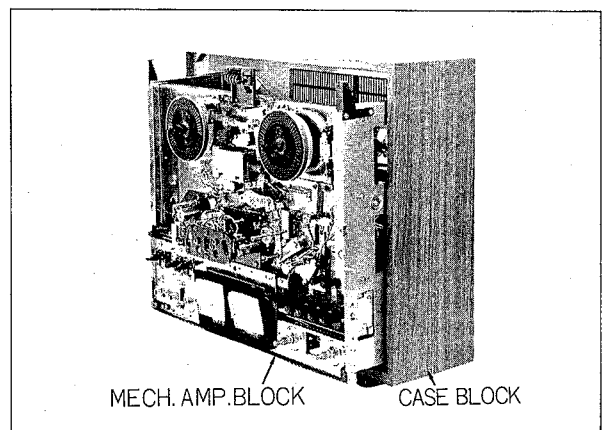
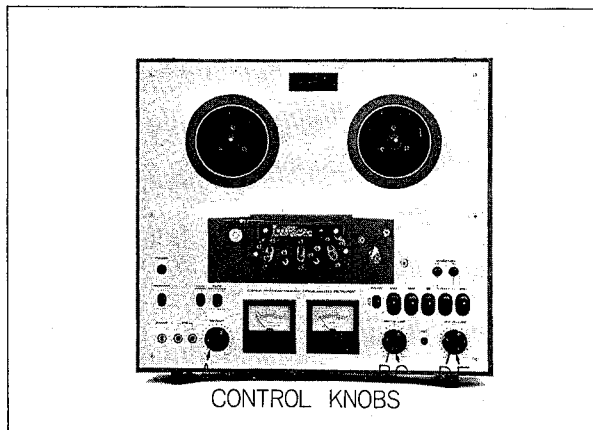
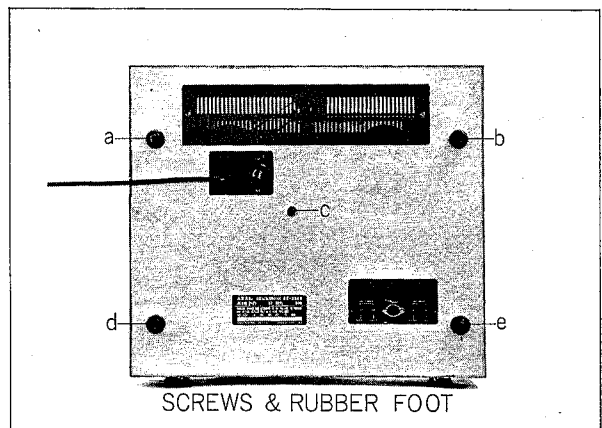
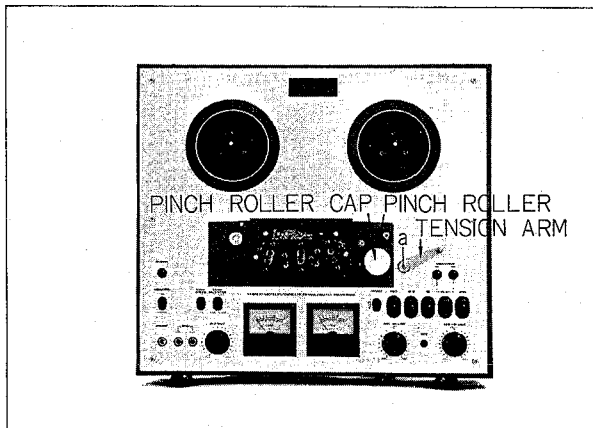
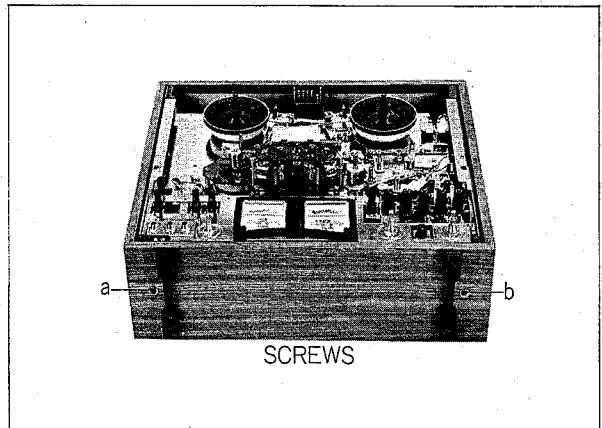
TRACK SYSTEM	4 track 2 channel stereo system	
TAPE SPEED	7-1/2 and 3-3/4 ips. $\pm 0.7\%$ *7-1/2 ips. (19 cm/sec.) $\pm 1.0\%$ *3-3/4 ips. (9.5 cm/sec.) $\pm 1.5\%$	
WOW & FLUTTER	Less than 0.07% RMS. at 7-1/2 ips. Less than 0.1% RMS. at 3-3/4 ips. *Less than 0.10% at 7-1/2 ips. FWD *Less than 0.12% at 7-1/2 ips. REV *Less than 0.15% at 3-3/4 ips. FWD *Less than 0.18% at 3-3/4 ips. REV	
TOTAL WOW & FLUTTER	*Less than 0.12% at 7-1/2 ips. *Less than 0.18% at 3-3/4 ips.	
FREQUENCY RESPONSE	30 to 23,000 Hz ± 3 dB at 7-1/2 ips. (with Akai LN Tape) 30 to 19,000 Hz ± 3 dB at 3-3/4 ips. (with Akai LN Tape) 30 to 22,000 Hz ± 3 dB at 7-1/2 ips. 30 to 18,000 Hz ± 3 dB at 3-3/4 ips.	
DISTORTION	Less than 1.0%	
TOTAL DISTORTION	Less than 1.5% at 7-1/2 ips. Less than 2.5% at 3-3/4 ips.	
S/N RATIO	Better than 54 dB *Better than 50 dB	
TOTAL S/N RATIO	*Better than 45 dB	
OUTPUT	LINE	0.775V (0 ± 1 dB/0 ± 1.5 dB, FWD/REV) 700 Hz "0" VU Prerecorded tape, output volume maximum.
	DIN	0.5V
INPUT	MIC	More than 0.3 mV
	LINE	More than 70 mV
	DIN	More than 3 mV (at "0" VU output, recording volume maximum).
RECORDING/PLAYBACK LEVEL	0.775V (0 ± 1.5 dB)	
CROSS TALK	Better than 40 dB (1,000 Hz +3 VU recording)	
ERASE RATIO	Better than 70 dB (1,000 Hz +3 VU recording)	
RECORDING BIAS FREQUENCY	100 ± 10 kHz	
BIAS LEAK	Better than -30 dB	
HIGH FREQUENCY DEVIATION	Within 3 dB (8,000 Hz, 3-3/4 ips. tape at 7-1/2 ips.)	
RECORDING TIME	90 minutes, stereo recording, using a 1,800 ft. tape at 7-1/2 ips.	
FAST FORWARD AND REWIND TIME	Approximately 120 seconds, using a 1,800 ft. tape at 50 Hz.	
MOTOR	MAIN MOTOR	2 speed A.C. Servo Control Outer Rotor Motor Type: SCM2-24KJ, 4 pole Revolutions: 615 r.p.m. at 7-1/2 ips. (19 cm/sec.) 307.5 r.p.m. at 3-3/4 ips. (9.5 cm/sec.)
	REEL MOTOR	Two 6-pole eddy current Outer Rotor Motors Type: 24XO-MR Revolutions: 930 r.p.m. at 50 Hz 1,120 r.p.m. at 60 Hz
HEAD COMBINATION RECORDING/ERASE HEAD	Type: RE4-6 Gap: Rec: 4 μ Erase: Double Gap Impedance: Rec: 1,400 ohm $\pm 25\%$ at 100 kHz Erase: 130 ohm $\pm 7\%$ at 100 kHz D.C. Resistance: Rec: 5.5 ohm Erase: 1.8 ohm	
	PLAYBACK HEAD	Type: P4-202 Gap: 1.7 μ $\pm 0.5\mu$ Impedance: 1,400 ohm at 1 kHz D.C. Resistance: 268 ohm

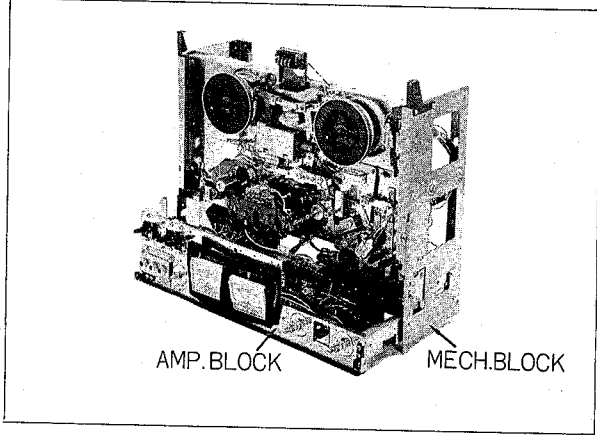
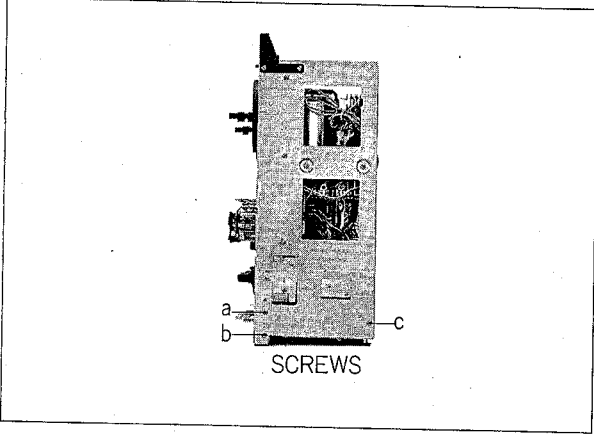
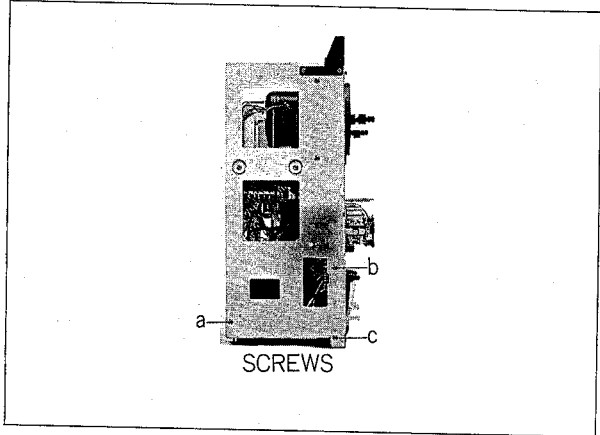
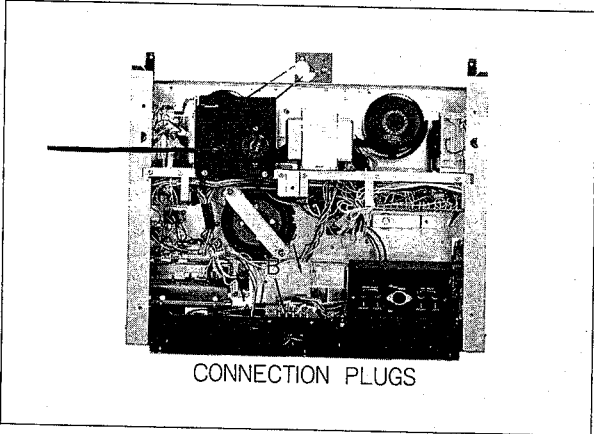
TRANSISTOR	2SA564(P)(Q) ... 1 2SC458LG(C) ... 16 2SC945(P)(Q) ... 20 2SC1247A ... 1	2SD361(D)(E) ... 1 2SD361(D1)(D2) ... 1 T1P48 ... 1
DIODE	1N34A ... 2 10D05 ... 4 10D1 ... 1 10D2 ... 4 10D4 ... 5	1S-1588 ... 1 1S-2473VE ... 1 RD-5A(M) ... 1 5B2 ... 1 (GX-230 only)
I.C.	STK-015 ... 2 (GX-230 only)	
POWER SUPPLY AND POWER CONSUMPTION	100 to 240V A.C. 50/60 Hz, 90W Universal Models 240V A.C. 50 Hz, 90W BSI Models 220V A.C. 50 Hz, 90W CEE Models 120V A.C. 60 Hz, 90W CSA Models 100V A.C. 50/60 Hz, 60/65W JPN Models Recorder Type; 120W	
DIMENSIONS	441(W) x 404(H) x 210(D)mm (17.4" x 15.9" x 8.3") Dimensions include all protruding parts.	
WEIGHT	GX-230D 15.2 kg (33.4 lbs.) GX-230 16.7 kg (36.7 lbs.)	

- NOTES: 1. Specifications determined with Scotch #211 tape unless otherwise noted.
2. Specifications Subject to change without notice.

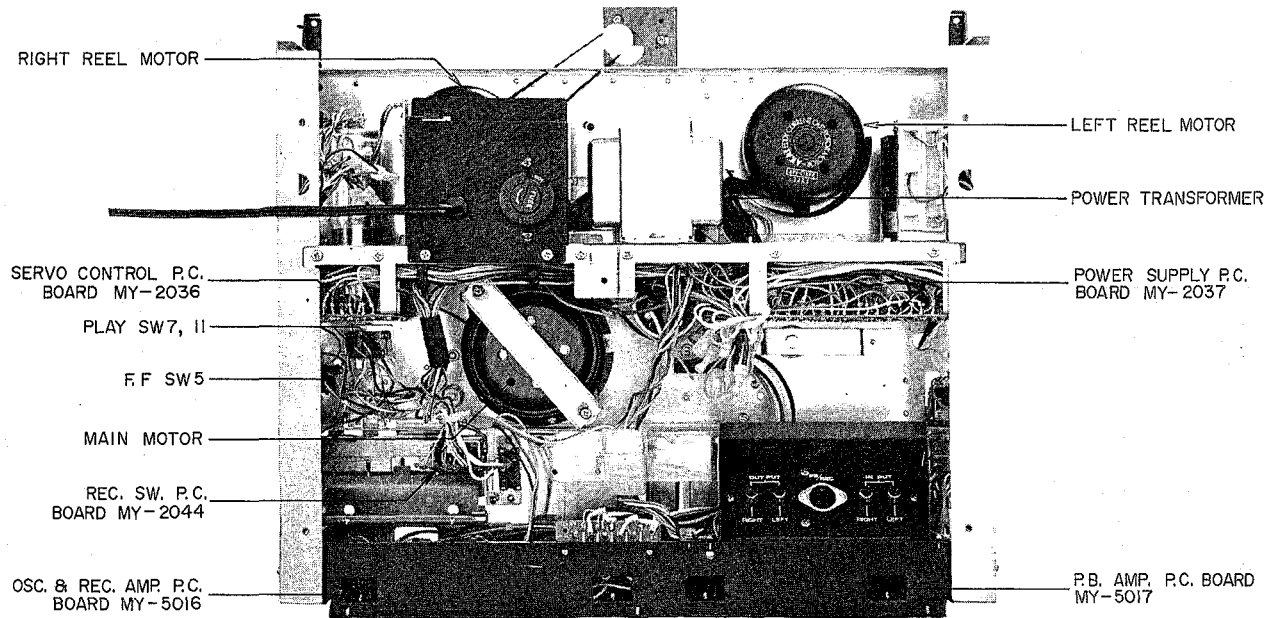
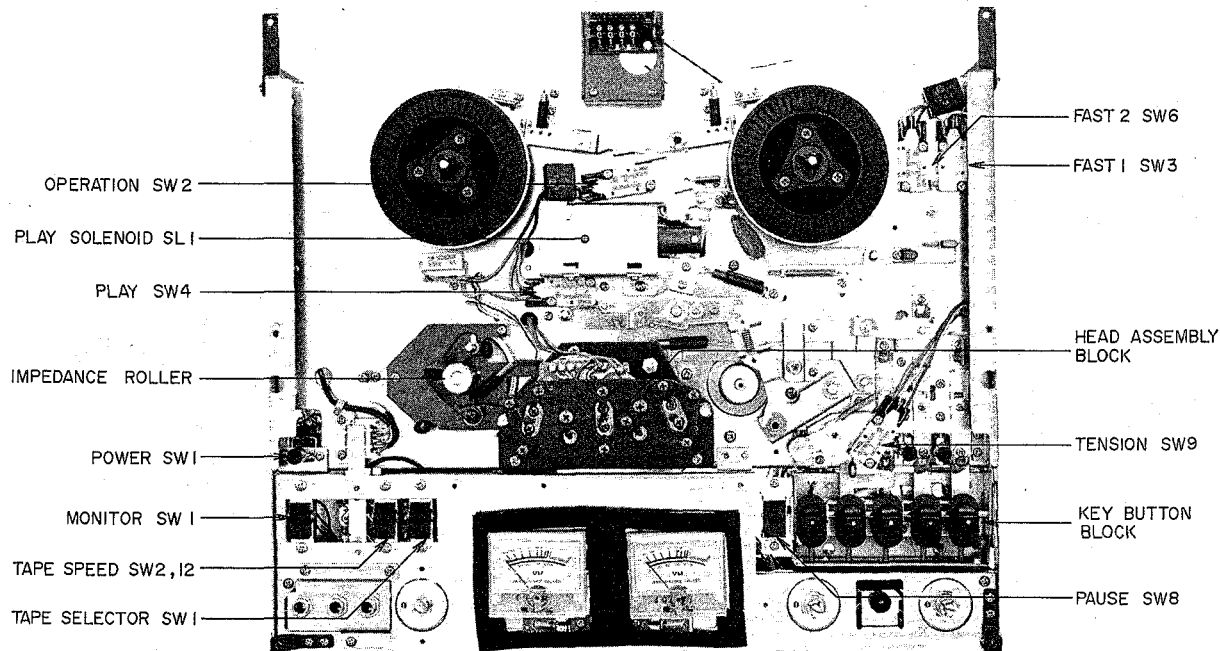
II. DISMANTLING OF UNIT

In case of trouble, etc. necessitating disassembly, please disassemble in the order shown in photographs. Reassemble in reverse order.





III. ARRANGEMENT OF MAIN PARTS



IV. MECHANISM ADJUSTMENT

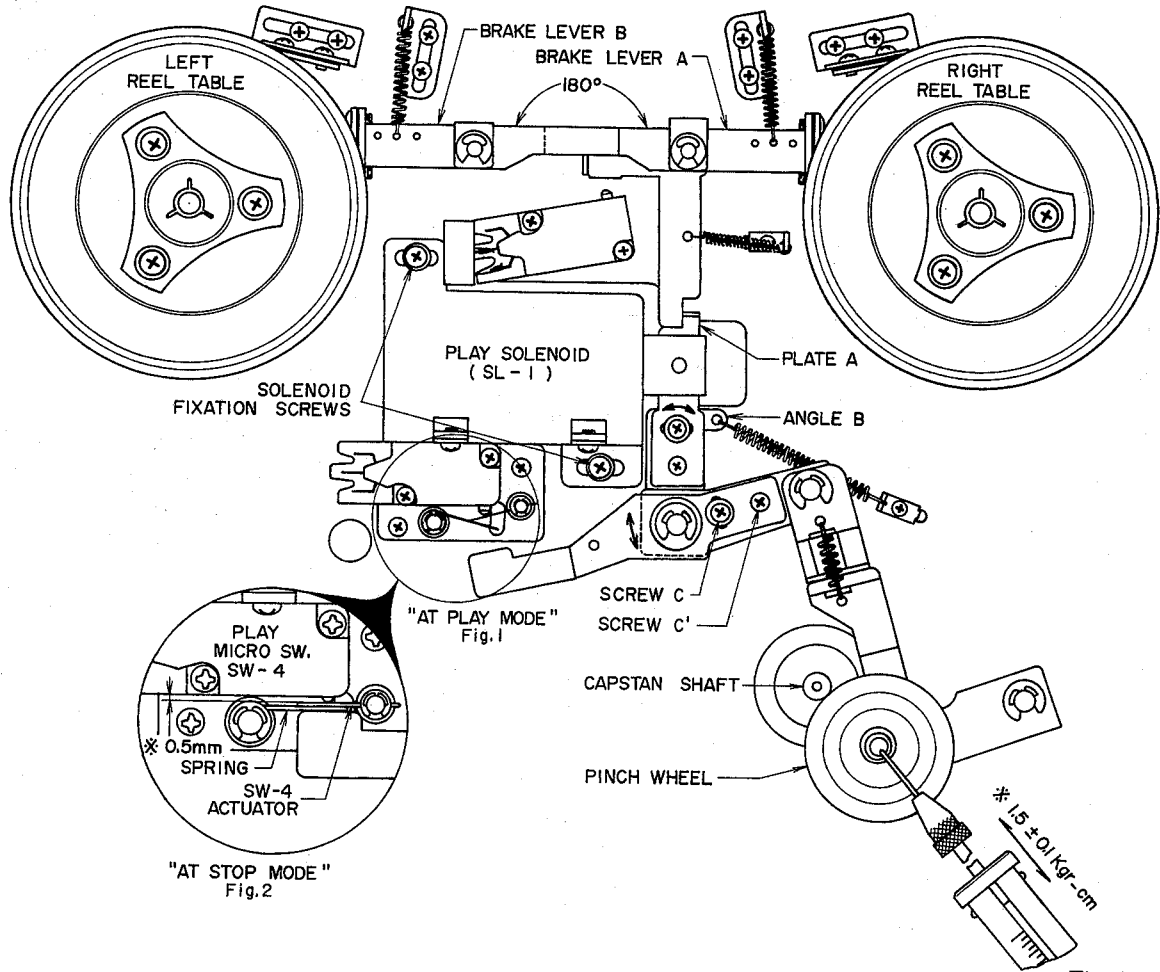


Fig. 1, 2

1. ADJUSTMENT OF PINCH WHEEL PRESSURE (Refer to Figs. 1 and 2)

- 1) Unfasten Microswitch (SW-4) Activation Adjustment Screws C and C'.
- 2) At play mode, confirm that Brake Lever A and Brake Lever B are placed at a 180° angle in relation to each other. If necessary, adjust the angle by changing Play Solenoid (SL-1) position.
- 3) Adjust pinch wheel pressure to 1.5 ± 0.1 kgr-cm by re-positioning Plate A and Angle B.
- 4) Then, at stop mode, fasten screws C and C' so that the clearance between the body of Microswitch SW-4 (with time delay) and the actuator of the microswitch is approximately 0.5 mm as shown in Fig. 2.

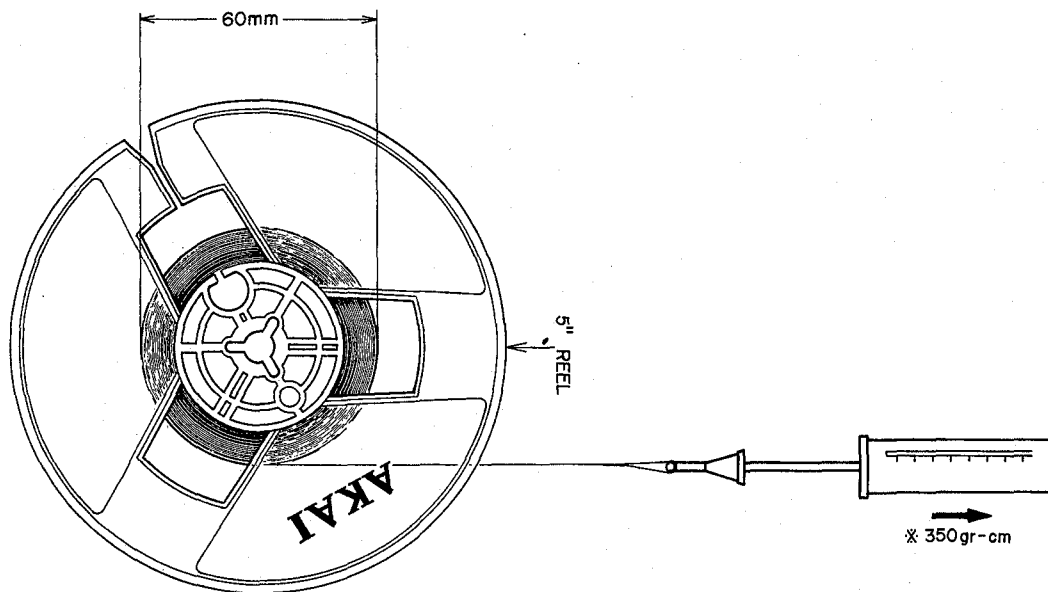


Fig. 3

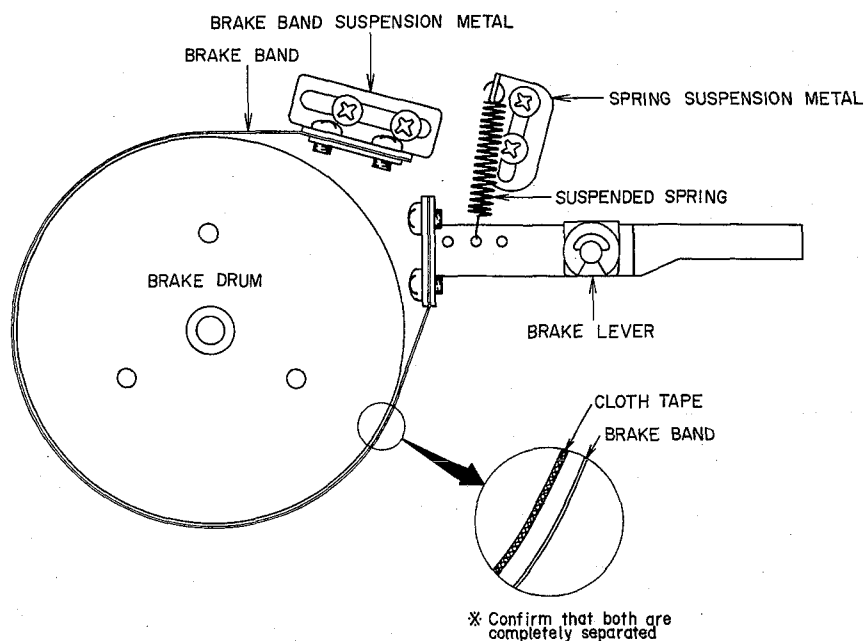


Fig. 4

2. BRAKE TENSION ADJUSTMENT (Refer to Figs. 3 and 4)

- 1) As shown in Fig. 3, use a 60 mm diameter tape wound on a 5" reel and set both left and right brake tension to approximately 350 gr-cm. Deviation of left and right tension must be within 50 gr-cm.
- 2) Brake tension can be adjusted by changing position of the Suspended Spring. If necessary, change

the position of the Spring Suspension Metal or replace the spring.

- 3) At all modes except stop mode, confirm that neither of the brake bands touch the cloth tape around the brake drums.

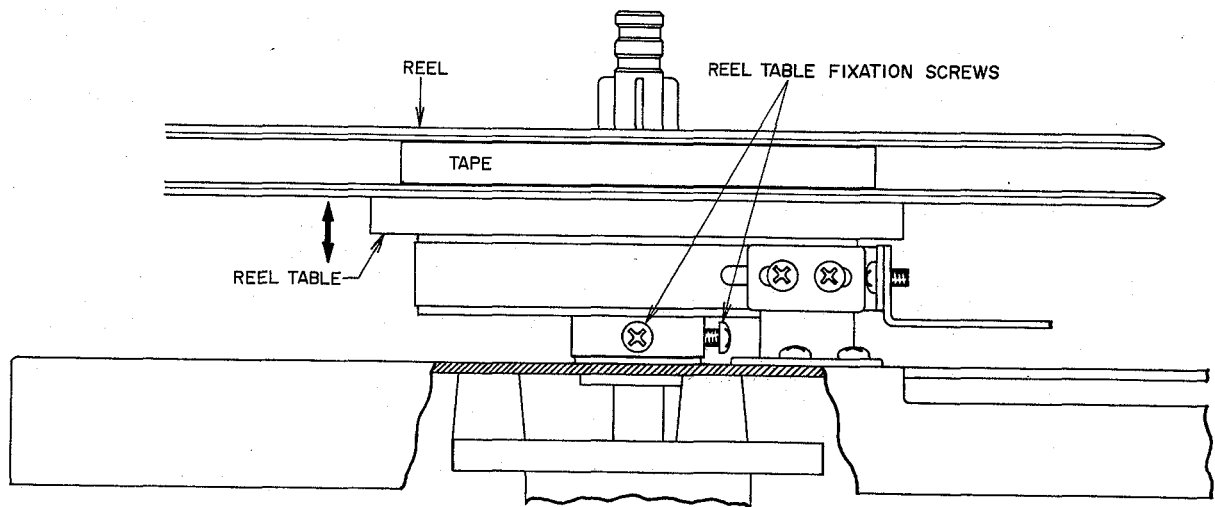
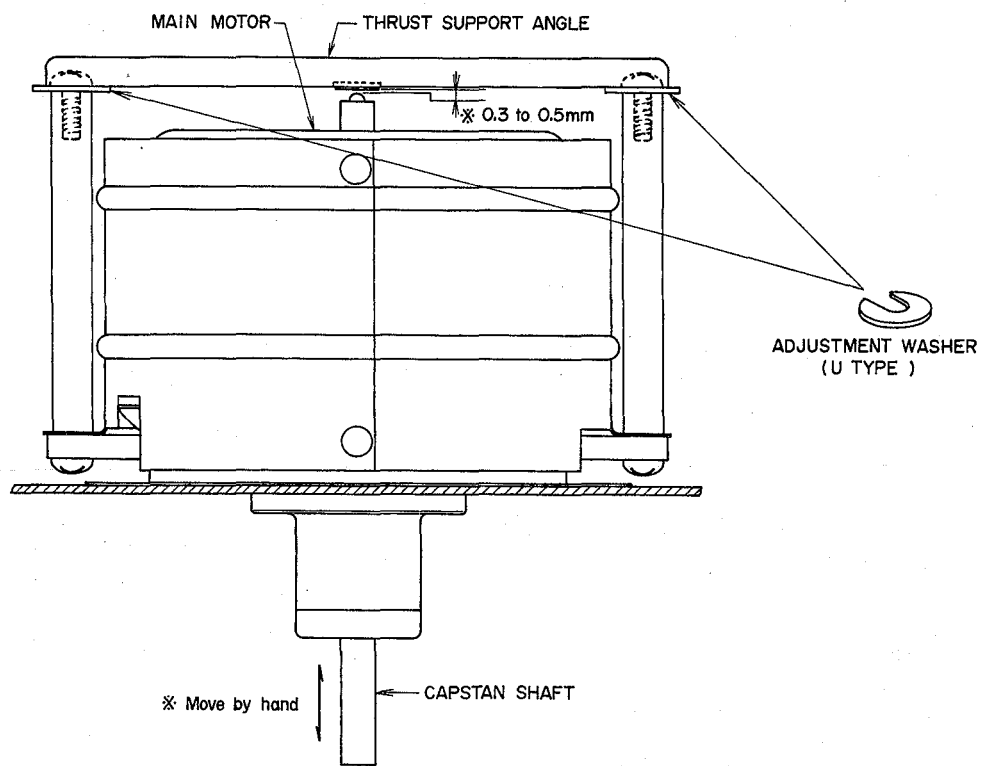


Fig. 5



3. ADJUSTMENT OF REEL TABLE HEIGHT
(Refer to Fig. 5)

- 1) Properly load a tape and move the reel table as indicated by the arrow mark in Fig. 5.
- 2) Fasten Reel Table Fixation Screws to maintain optimum position at F. FWD and RWD modes.

NOTE: Tape should wind on center of reel regardless of type reel used.

4. ADJUSTMENT OF CAPSTAN MOTOR SHAFT LOOSE PLAY

As shown in Fig. 6, adjust the loose play by inserting an adjustment washer (U type) to obtain a 0.3 to 0.5 mm degree of loose play when the capstan shaft is moved by hand.

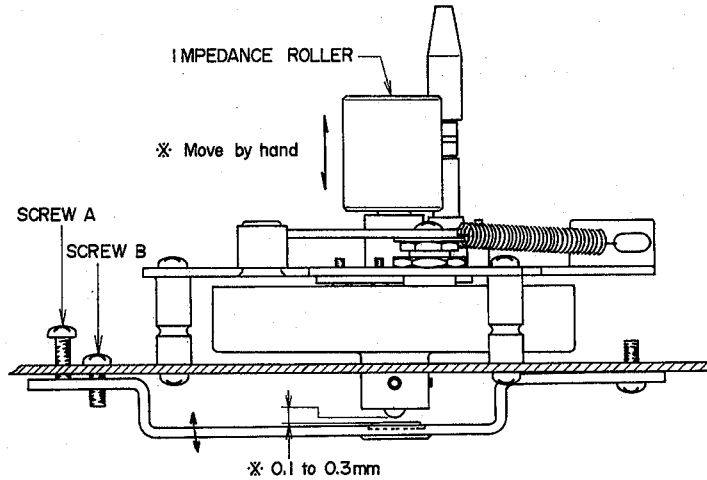


Fig. 7

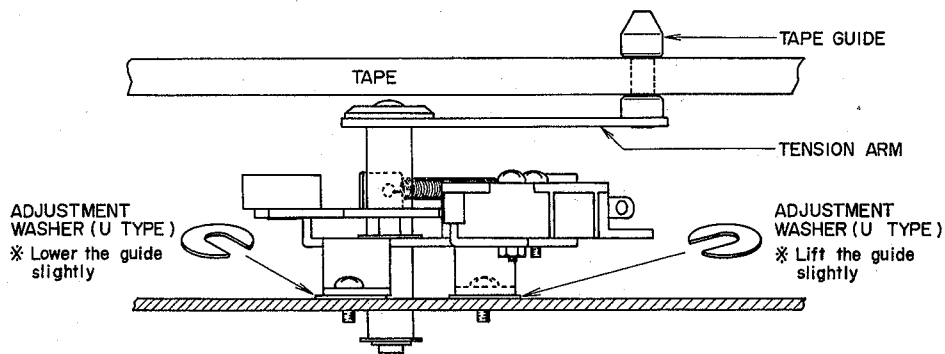


Fig. 8

5. ADJUSTMENT OF IMPEDANCE ROLLER SHAFT LOOSE PLAY (Refer to Fig. 7)

Adjust by turning adjustment screws A and B to obtain a 0.1 to 0.3 mm degree loose play when the shaft is moved by hand.

NOTE: Both A and B screws must be tightened after this procedure.

6. HEIGHT ADJUSTMENT OF TAPE GUIDE ON TENSION ARM

Adjust the height of Tape Guide on Tension Arm by inserting an adjustment washer (U type) as shown in Fig. 8 so that tape travels on the center of the tape guide.

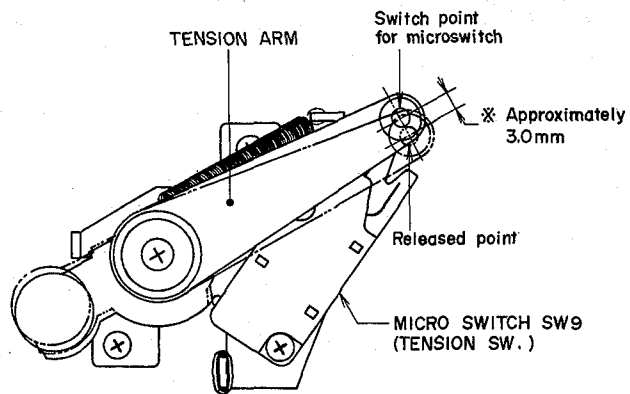


Fig. 9

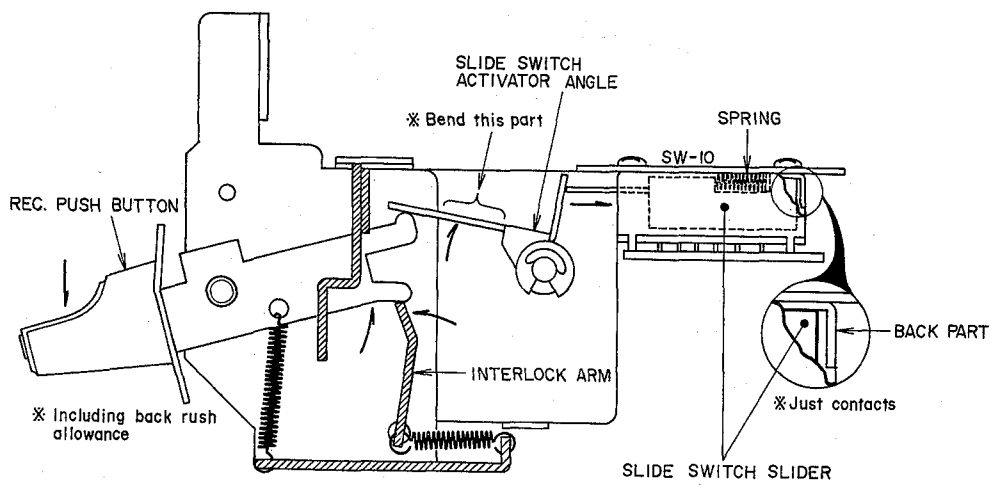


Fig. 10

7. ADJUSTMENT OF TENSION ARM MICRO-SWITCH SW-9 POSITION

Confirm that the microswitch operates at the position indicated in Fig. 9. If necessary, move the microswitch to obtain optimum position.

8. ADJUSTMENT OF RECORDING SLIDE SWITCH (SW-10) TIMING

As shown in Fig. 10, adjust the switch timing by bending the slide Switch Activator Angle so that the slide switch slider just comes in contact with the back part of the slide switch.

At this time, the REC Push Button is fully depressed.

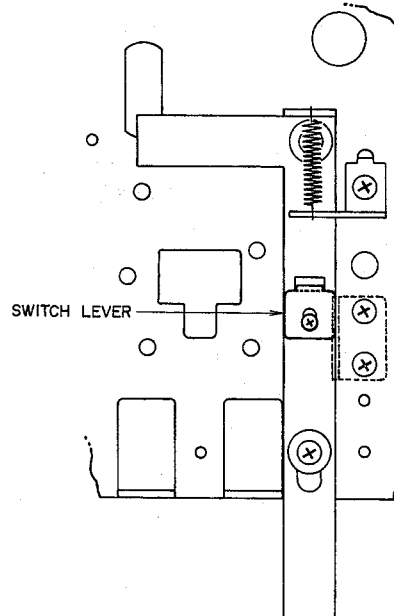
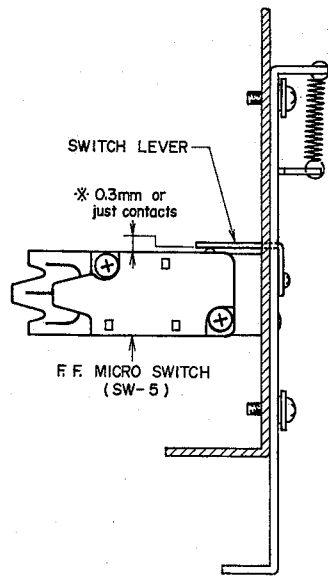


Fig. 11

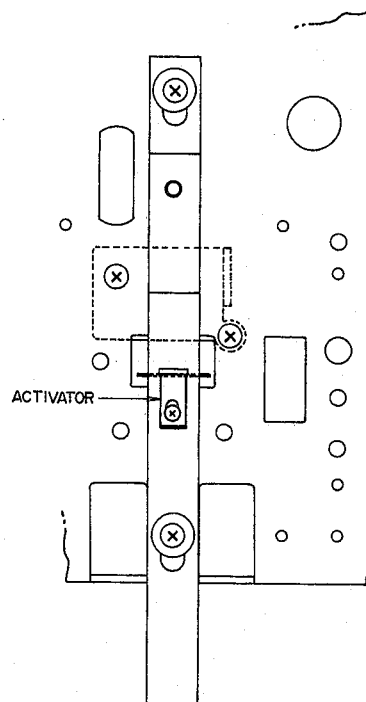
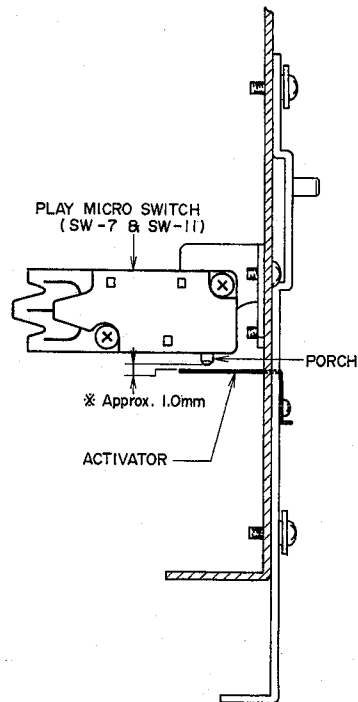


Fig. 12

9. ADJUSTMENT OF FF MICROSWITCH (SW-5) ACTUATOR POSITION

At stop mode, move the microswitch actuator on FF Slide Plate so that the clearance between the actuator and the body of the microswitch is approximately 0.3 mm or just comes in contact as shown in Fig. 11.

10. ADJUSTMENT OF PLAY MICROSWITCH (SW-7 and SW-11) ACTIVATOR POSITION

As shown in Fig. 12, at stop mode, move the microswitch activators on Play Slide Plate so that the clearance between the activator and the porches of the microswitches is approximately 1.0 mm.

V. HEAD ADJUSTMENT

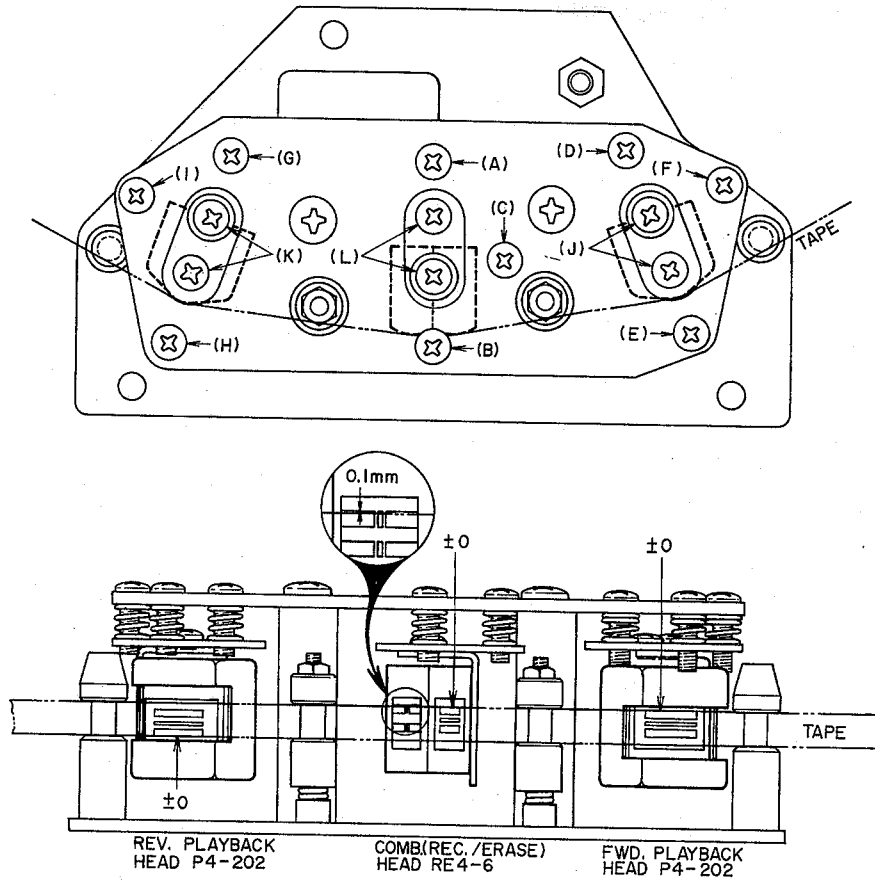


Fig. 13

NOTES:

- 1) As perfect head adjustments are vital in attaining top tape deck performance, please be sure that these adjustments are properly carried out.
- 2) Be careful not to use a magnetized screw driver or other magnetized tools in the vicinity of the heads.
- 3) Use only new tape as level variation is likely to occur when using old tape.
- 4) Demagnetize heads with a Head Demagnetizer before and after head adjustment.

Adjustment Item	Test Tape Supply Signal	Mode	Adjustment Point	Remarks
Combination Head Height Adjustment	optional	FWD	(A)(B)(C)	Upper edge of ch. 1 head core and the upper edge of the tape are the same height.
FWD Playback Head Height Adjustment	optional	FWD	(D)(E)(F)	Upper edge of ch. 1 head core and the upper edge of the tape are the same height.
REV Playback Head Height Adjustment	optional	REV	(G)(H)(I)	Lower edge of ch. 1 head core and the lower edge of the tape are the same height.
FWD Playback Head Azimuth Alignment Adjustment	8,000 Hz, 3-3/4 ips test tape	FWD	(F)	Maximum output, both channels.
FWD Playback Head Gap Alignment Adjustment	8,000 Hz, 3-3/4 ips test tape	FWD	(J)	Adjust head gap surface so that there is no change in output level when tension is applied to the supply reel side.
REV Playback Head Azimuth Alignment Adjustment	8,000 Hz, 3-3/4 ips test tape	REV	(I)	Maximum output, both channels.
REV Playback Head Gap Alignment Adjustment	8,000 Hz, 3-3/4 ips test tape	REV	(K)	Adjust head gap surface so that there is no change in output level when tension is applied to the supply reel side.
Combination Head Azimuth Alignment Adjustment	Scotch #211 tape 15,000 Hz -20 dBm	REC	(C)	Maximum output, both channels.
Combination Head Gap Alignment Adjustment	Scotch #211 tape 15,000 Hz -20 dBm	REC	(L)	Adjust head gap surface so that there is no change in output level when tension is applied to the supply reel side.

NOTE: Set tape speed to 7-1/2 ips. when making all alignment adjustments.

VI. AMPLIFIER SYSTEM ADJUSTMENT

1. POWER SUPPLY VOLTAGE ADJUSTMENT

2. TAPE SPEED ADJUSTMENT

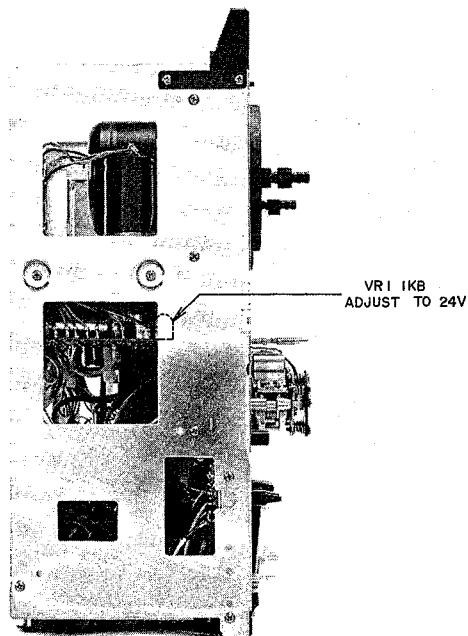


Fig. 14

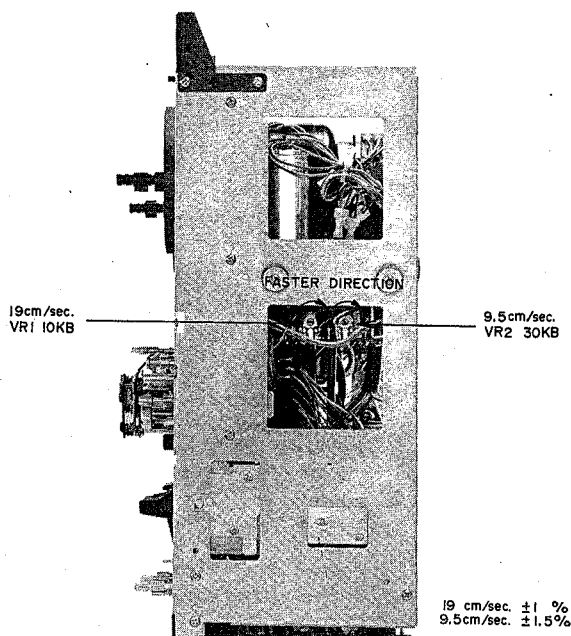
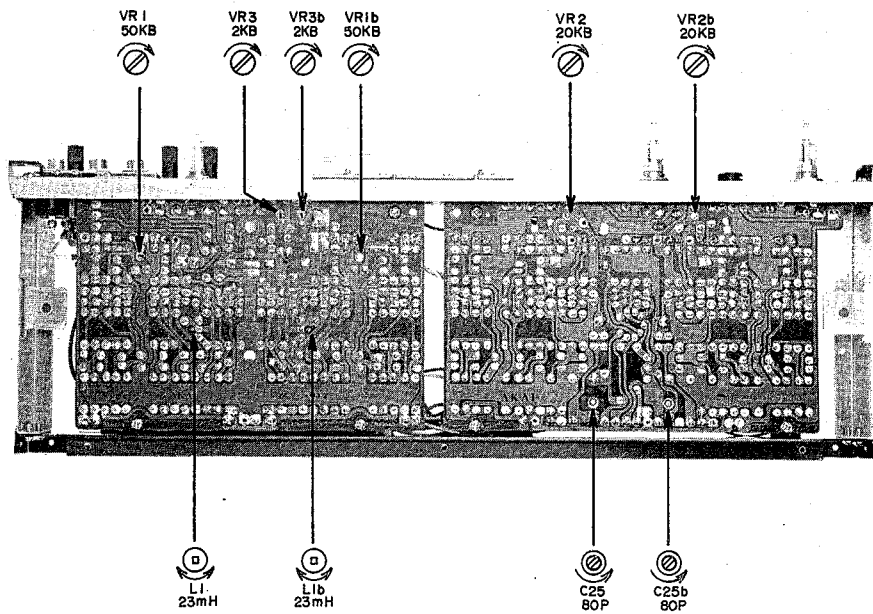


Fig. 15

Adjustment Item	Test Tape	Mode	Adjustment Point	Result	Remarks
Power Supply Voltage Adjustment		STOP	VR1 1 kB	24.0V	Terminal ⑱, Power Supply P.C. Board
7-1/2 ips. Tape Speed Adjustment	1,000 Hz, 7-1/2 ips test tape	FWD P.B. ↘	VR1 10 kB	1,000 Hz ±1.0%	Tape Speed 7-1/2 ips.
3-3/4 ips. Tape Speed Adjustment	1,000 Hz, 7-1/2 ips. test tape	FWD P.B.	VR2 30 kB	500 Hz ±1.5%	Tape Speed 3-3/4 ips.

3. RECORDING, PLAYBACK AMPLIFIER ADJUSTMENT



Adjustment Item	Test Tape Supply Signal	Mode	Adjustment Point	Result	Remarks
Playback Level Adjustment	700 Hz, 7-1/2 ips. "O" VU test tape	FWD P.B.	VR1 50 kB	0 ±1.0 dB (0.775V)	within 0 ±1.5 dB at reverse playback
VU Meter Sensitivity Adjustment	700 Hz, 7-1/2 ips. "O" VU test tape	FWD P.B.	VR3 2 kB	"O" VU	
Recording Level Adjustment	Scotch #211 tape, 1,000 Hz "O" VU recording	REC	VR2 20 kB	0 ±1.5 dB (0.775V)	Monitor Switch at SOURCE
Frequency Response Adjustment	Scotch #211 tape, 1,000 Hz, 10,000 Hz -20 dBm recording	REC	C25 80P	1,000 Hz to 10,000 Hz flat	Re-adjust recording level following bias adjustment
Bias Leak Adjustment		REC	L1 23 mH	Less than -30 VU	With Monitor Switch at TAPE and SOURCE Positions.

NOTES:

1. Tape Speed at 7-1/2 ips. (19 cm/sec.)
2. Tape Selector at LOW NOISE.
3. Output volume maximum.
4. New test tape should be used.
5. The letter b following an adjustment parts number indicates "right channel".

VII. D.C. RESISTANCE OF VARIOUS COILS

Part	Designation	D.C. Resistance
Main Motor	SCM2-24KJ	Between BLU-RED 100 ohm Between YLW-GRN 180 ohm Pick-up Coil 635 ohm
Reel Motor	24XO-MR	Between BLU-RED 74 ohm Between YLW-GRN 166 ohm
Play Solenoid	1660 THT3	685 ohm
Shut-Off Solenoid	0730 THT1	15 ohm $\pm 10\%$
Relay	MY4-0-US-AD4 DC24V	650 ohm
Relay	MTS-2	980 ohm
Head phone Output Transformer	N16-535S	Primary 565 ohm $\pm 15\%$ Secondary 0.95 ohm $\pm 15\%$
Oscillator Coil	OT-204	Between 1 - 3 0.3 ohm Between 4 - 6 0.7 ohm Between 7 - 9 268 ohm
Playback Head	P4-202	268 ohm
Combination Rec./Erase Head	RE4-6	Rec. 5.5 ohm Erase 1.8 ohm

NOTE: Resistance values shown in this chart are average values.

VIII. CLASSIFICATION OF VARIOUS P.C. BOARDS

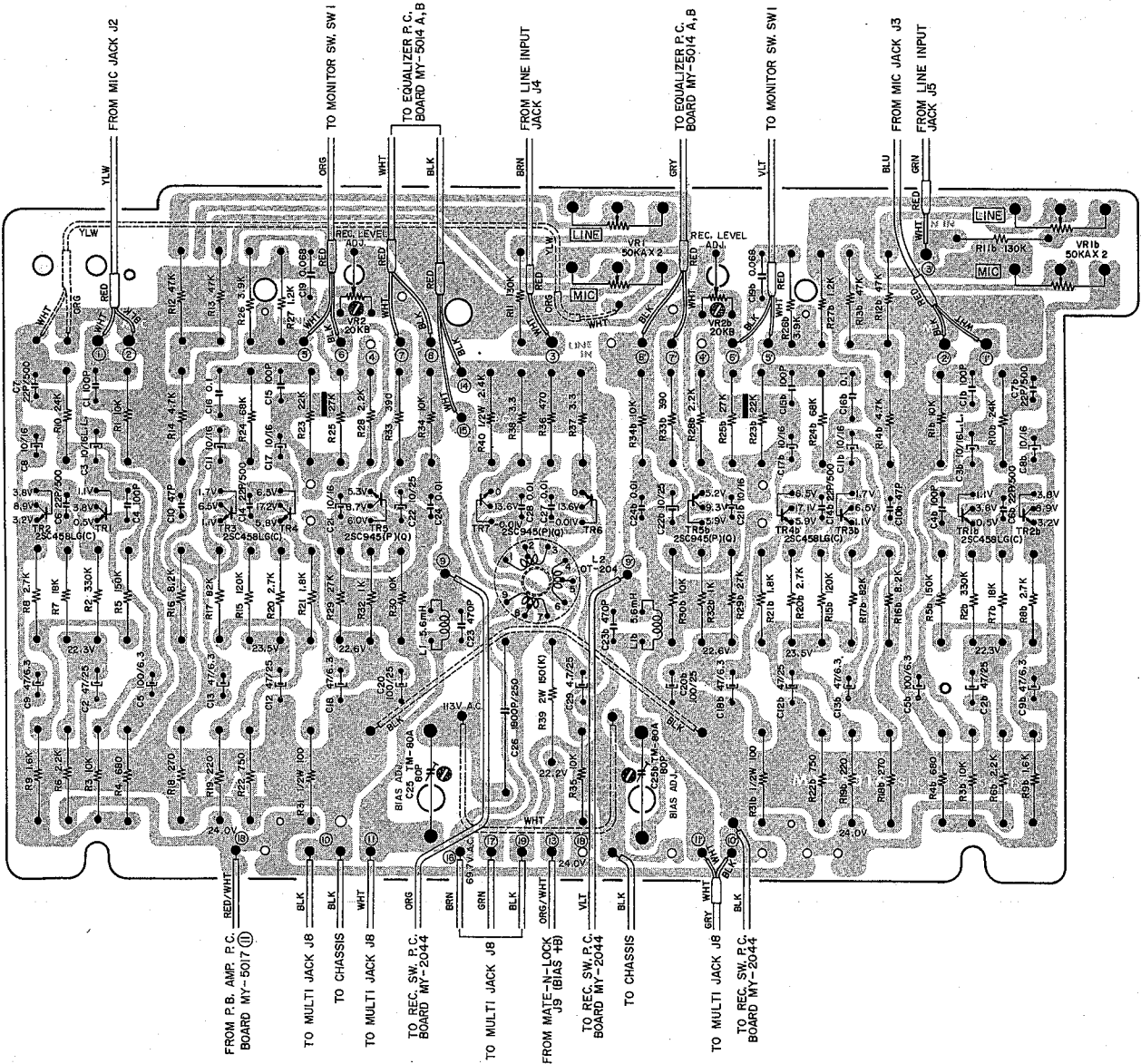
1. P.C. BOARD INTERCHANGEABILITY CHART

P.C. Board	GX-230D	GX-230
Relay P.C. Board	MY-0008	MY-0008
Servo Control P.C. Board	MY-2036	MY-2036
Power Supply P.C. Board	MY-2037	MY-2037
REC. SW. P.C. Board	MY-2044	MY-2044
Transistor P.C. Board	MY-2054	MY-2054
Equalizer P.C. Board	MY-5014A,B	MY-5014A,B
Lamp P.C. Board	MY-5015	MY-5015
OSC. and Recording Amp. P.C. Board	MY-5016	MY-5016
Playback Amp. P.C. Board	MY-5017*	MY-5017*
Main Amp. P.C. Board		MS-5024

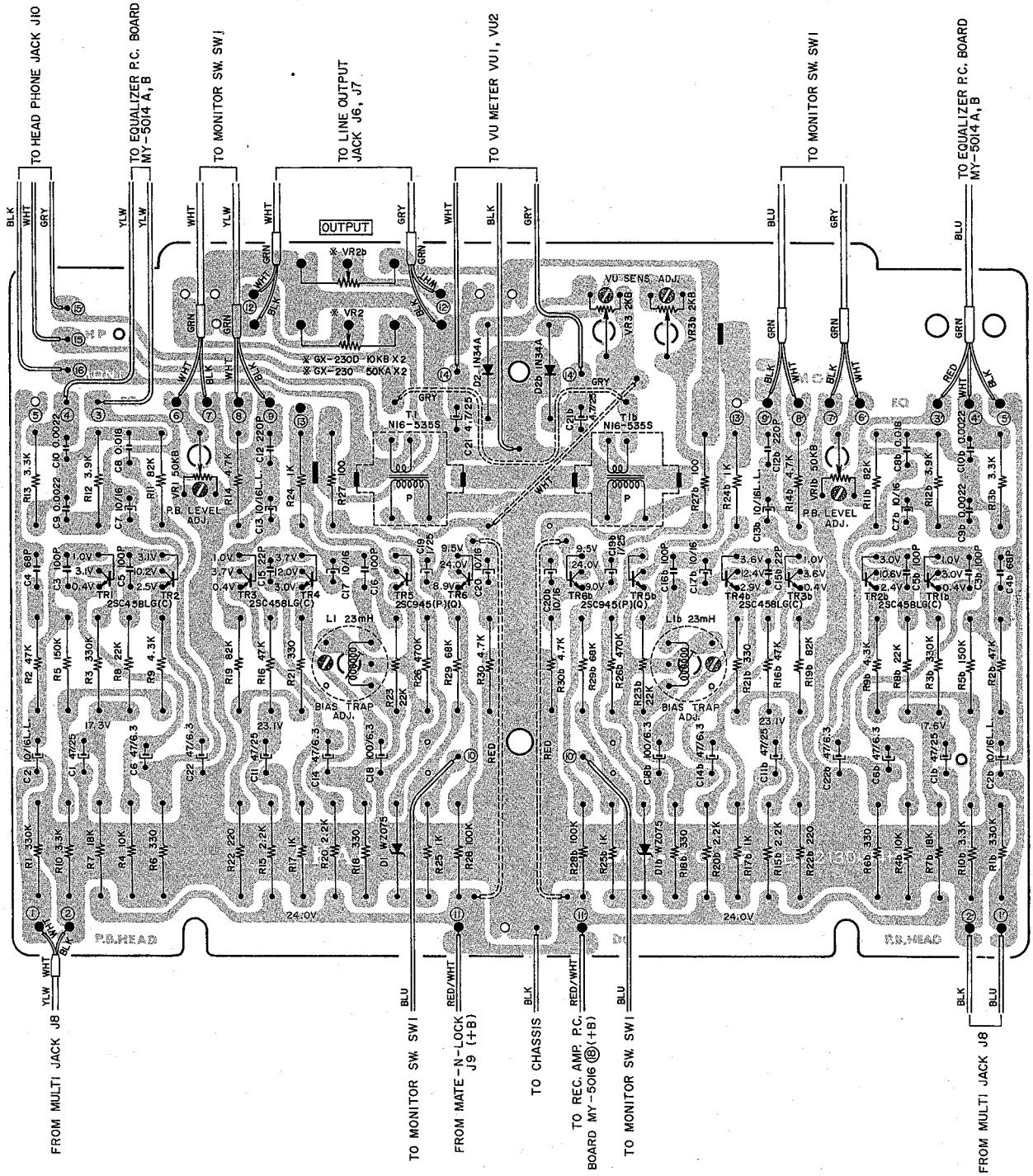
NOTE: Asterisk mark indicates "not interchangeable".

2. COMPOSITE VIEWS OF COMPONENTS

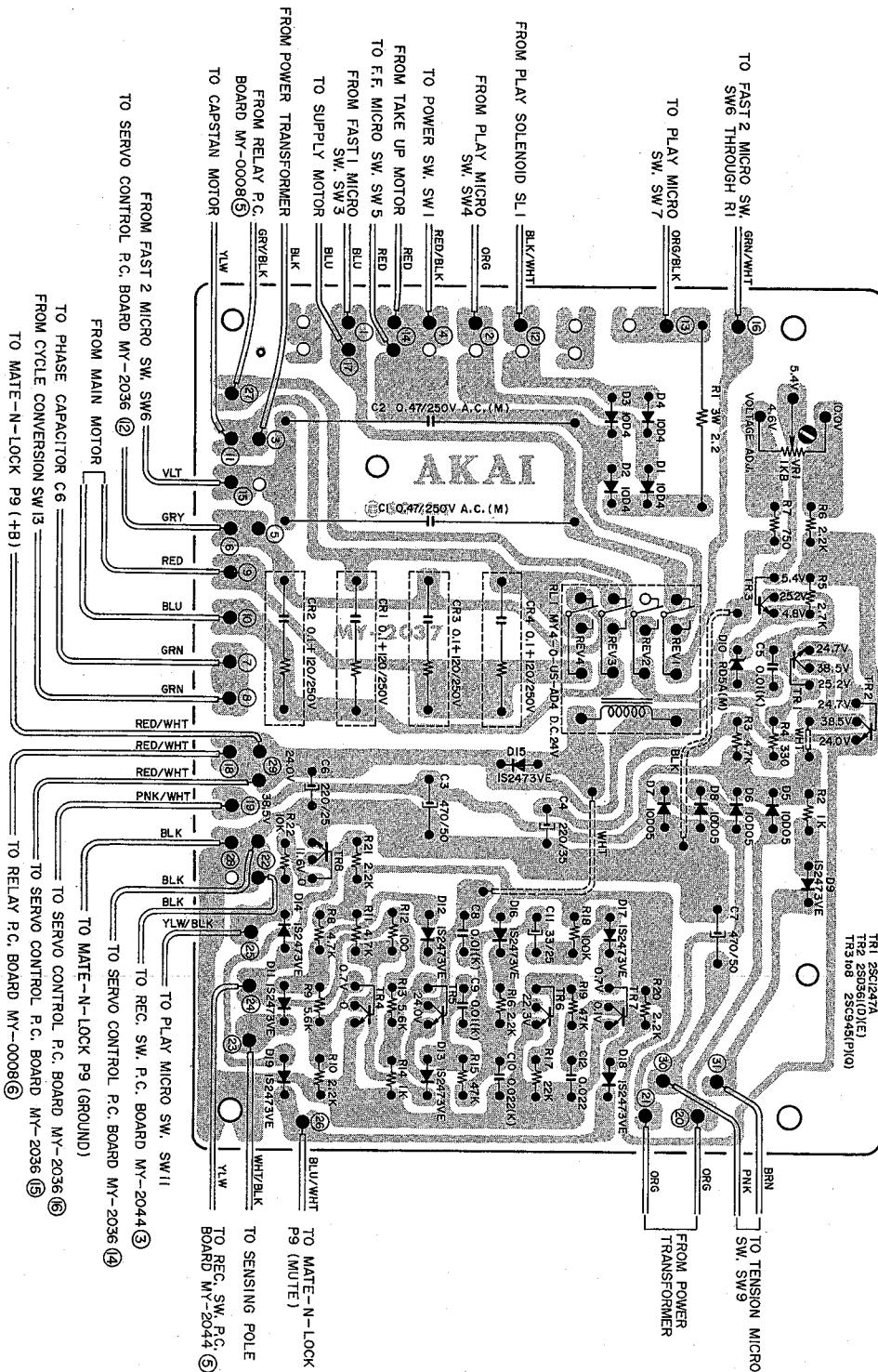
1. OSC. and Recording Amp. P.C. Board (MY-5016)



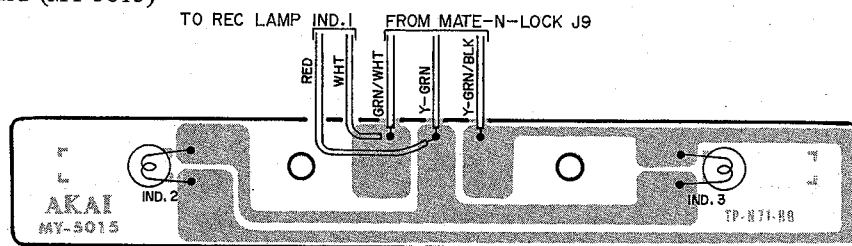
2. Playback Amp. P.C. Board (MY-5017).



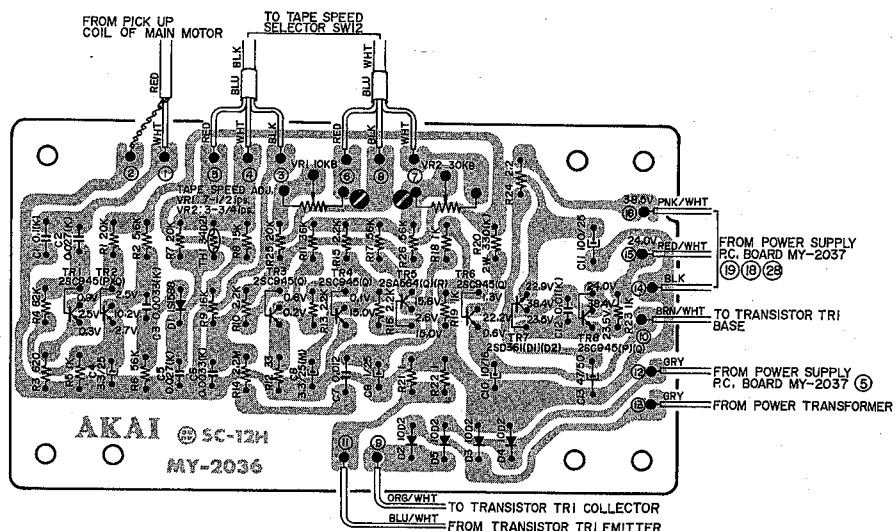
3. Power Supply P.C. Board (MY-2037)



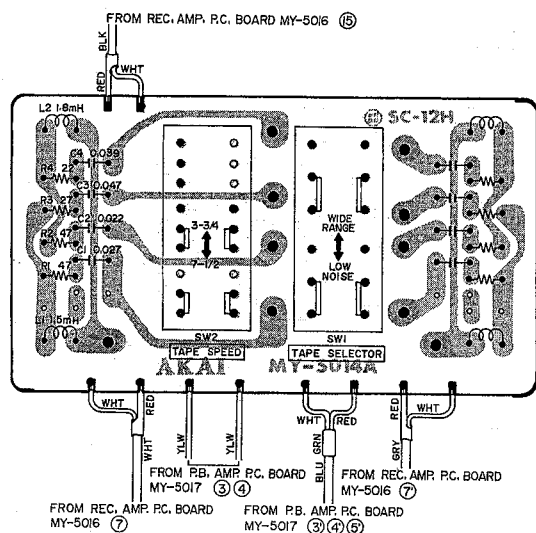
4. Lamp P.C. Board (MY-5015)



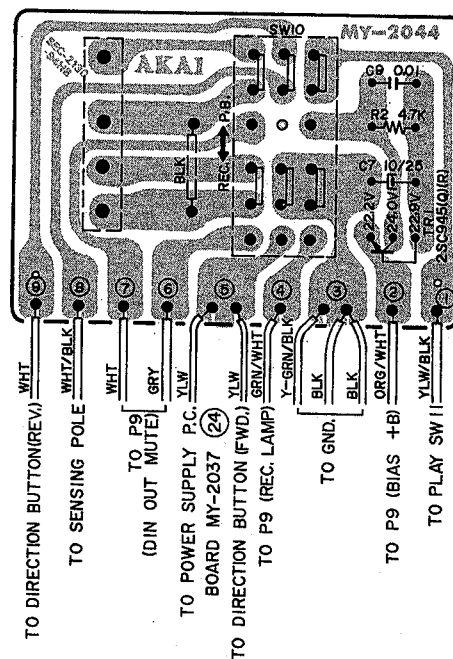
5. Servo Control P.C. Board (MY-2036)



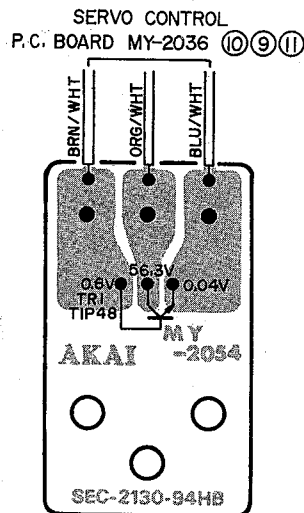
6. Equalizer P.C. Board (MY-5014 A, B)



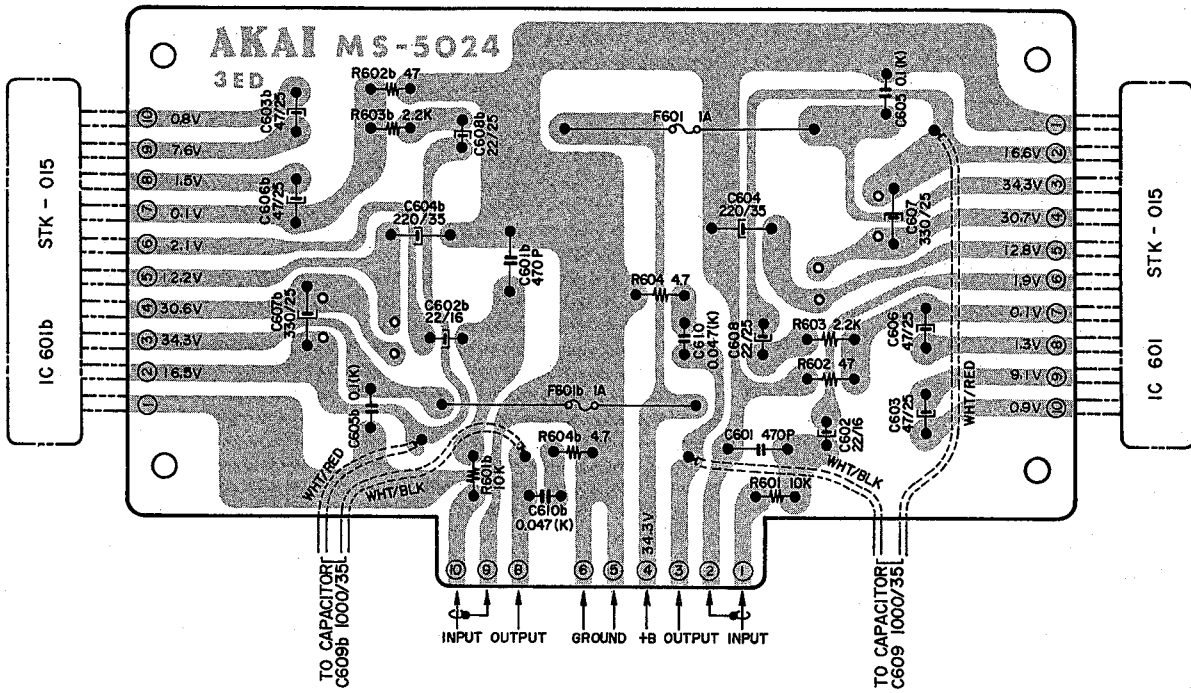
7. REC. SW. P.C. Board (MY-2044)



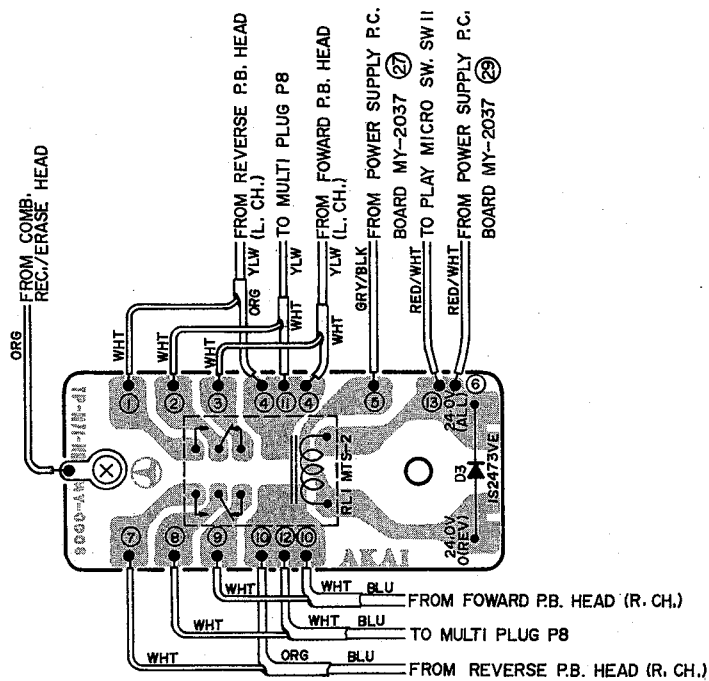
8. Transistor P.C. Board (MY-2054)



9. Main Amp. P.C. Board (MS-5024)



10. Relay P.C. Board (MY-0008)



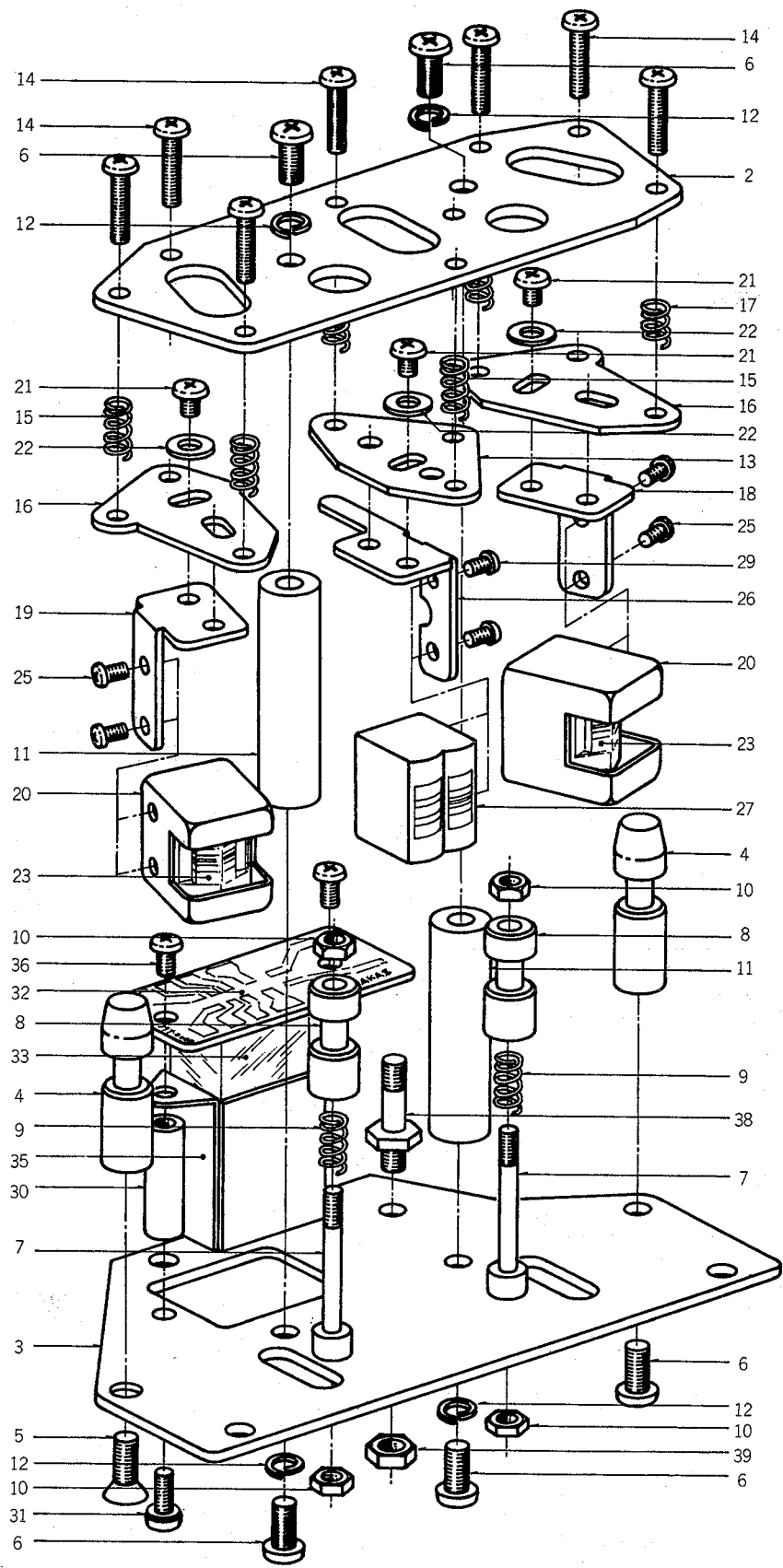
SECTION 2

PARTS LIST

TABLE OF CONTENTS

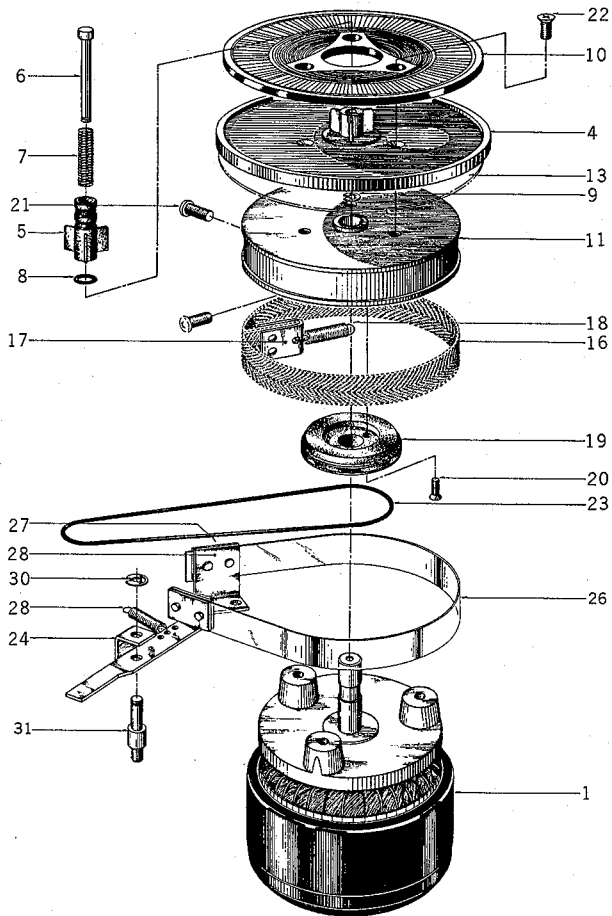
Fig. 1	HEAD BLOCK	24
Fig. 2	REEL MOTOR/REEL TABLE BLOCK	25
Fig. 3	MAIN MOTOR BLOCK	26
Fig. 4	OPERATION BLOCK	27
Fig. 5	PINCH ROLLER PLUNGER/QUICK SW. BLOCK	29
Fig. 6	IMPEDANCE ROLLER BLOCK	30
Fig. 7	TENSION ARM/DIRECTION SW. BLOCK	30
Fig. 8	MECH. ASSEMBLY BLOCK	31
Fig. 9	POWER SUPPLY BLOCK	33
Fig. 10	REC., OSC. P.C. BOARD (MY-5016) BLOCK	35
Fig. 11	PB. P.C. BOARD (MY-5017) BLOCK	36
Fig. 12	SERVO P.C. BOARD (MY-5036) BLOCK	37
Fig. 13	EQ. P.C. BOARD (MY-5014) BLOCK	38
Fig. 14	POWER SUPPLY P.C. BOARD (MY-2037) BLOCK	38
Fig. 15	MAIN AMP. (MS-5024) BLOCK	39
Fig. 16	AMP. ASSEMBLY BLOCK	39
Fig. 17	FINAL ASSEMBLY BLOCK	41
	INDEX	42

FIG. 1 HEAD BLOCK



When ordering parts, please describe Parts Number, Serial Number, and Model Number in detail.

FIG. 2 REEL MOTOR/REEL TABLE BLOCK



HEAD BLOCK

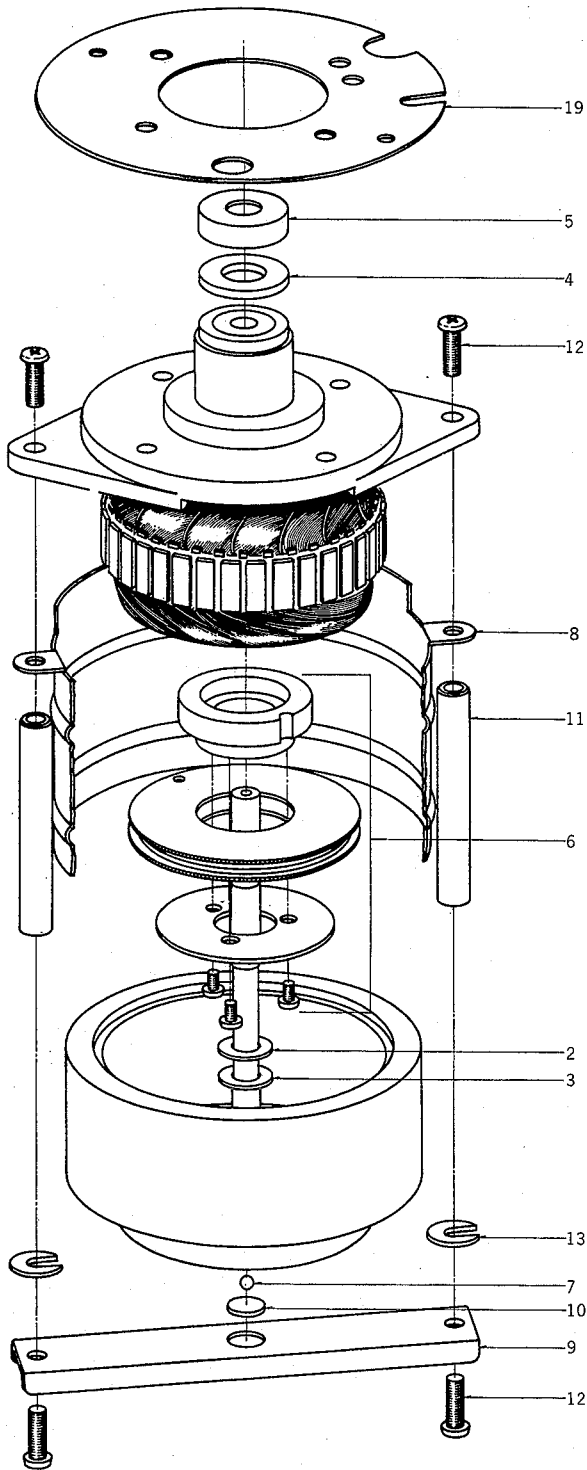
Ref. No.	Parts No.	Description	Schematic No.	Q'ty
1-1x	BH622585	Head Block Comp.	MY	1
1-2	HZ626837	Head Base A	MY-0001	1
1-3	HZ626848	Head Base B	MY-0002	1
1-4	MS625072	Tape Guide	MY-0003	2
1-5	ZS414044	Screw, countersunk head 4x8		1
1-6	ZS413201	Screw, pan head 3x8		5
1-7	MH578957	Tape Guide Prop	TD-0003	2
1-8	HZ532710	Tape Guide B	TW-0006	2
1-9	ZG466312	Angle Adjust Spring E	BS-0018	2
1-10	ZW273835	Nut M3		4
1-11	MH529233	Head Base Prop B	ND-0017	2
1-12	ZW273914	Spring Washer M4		4
1-13	HZ532732	CH Retaining Base	TW-0008	1
1-14	ZS608512	Screw, pan head 3x13		9
1-15	ZG466312	Angle Adjust Spring E	BS-0018	6
1-16	HZ532765	PH Retaining Base	TW-0010	2
1-17	ZG303300	Angle Adjust Spring B	RD-55	3
1-18	HA625105	Head Angle A	MY-0006	1
1-19	HA625116	Head Angle B	MY-0006	1
1-20	HZ627546	Head Shield	MY-0010	2
1-21	ZS608477	Screw, pan head 3x4		6
1-22	ZW413256	Washer (SPC) D3.4x7.8x0.5t		3
1-23	HP536501	PB. HEAD P4-202		2
1-24x	EA463206	Terminal P.C. Board A	RD-A36	4
1-25	ZS201508	Screw, pan head 2x4		4
1-26	HA532743	CH Angle A	TW-0009	1
1-27	HR556582	REC./ERASE HEAD RE4-6		1

Ref. No.	Parts No.	Description	Schematic No.	Q'ty
1-28x	HZ583176	RE4-6 Terminal Plate	TW-0035	1
1-29	ZS477876	Screw, pan head 2x3		2
1-30	MH625094	Relay Prop	MY-0005	2
1-31	ZS369900	Screw, pan head 3x8, w/washer		2
1-32	EA625138	Relay P.C. Board	MY-0008	1
1-33	EP621808	Relay MTS-2	47-2-26	1
1-34x	ED624903	Silicon Diode IS2473	45-3-28	1
1-35	EZ625127	Relay Shield	MY-0007	1
1-36	ZS422076	Screw, pan head 3x5		2
1-37x	EA382713	Head Connector P.C. Board	RD-A8	1
1-38	MH625083	Double Side Screw Prop	MY-0004	1
1-39	ZW416698	Nut M4		1

REEL MOTOR/REEL TABLE BLOCK

Ref. No.	Parts No.	Description	Schematic No.	Q'ty
2-1	BM314741	Reel Motor (24XO-2) Block Comp.	MR,KD,MS, MC,MY	1
2-2x	BR398430	Supply Reel Table Block Comp.		1
2-3x	BR398441	Take-up Reel Table Block Comp.	KD,KF,MY	1
2-4	MT488147	Reel Table Disk B, RD	KD,KF,MY	1
2-5	MT255420	Reel Retainer	RD-272	1
2-6	MS342000	Reel Shaft	3R-102	1
2-7	ZG255633	Reel Spring	3R-108	1
2-8	MT297663	3R 'O' Ring 2.9x1.65M	3R-109	1
2-9	ZW270088	'E' Ring 1.9M	3R-139	1
2-10	MT397225	Reel Table Rubber	6-1-9	1
2-11	MT495606	Brake Drum (R) A (Take-up)	KD-2017	1
2-12x	MT495617	Brake Drum (L) A (Supply)	MR-216	1
2-13	MT405268	Reel Table Spacer	MR-216	1
2-14x	ZW273778	Earth Lug M3	KD-2018	1
2-15x	ZS425981	Screw, binding head 3x3		2
2-16	MT436860	Brake Cloth Comp.		2
2-17	MT317485	U Metal Fitting	MR-269	1
2-18	ZG317496	Felt Tension Spring	MR-218	1
2-19	MR317507	Counter Pulley (Take-up)	MR-260	1
2-20	ZS516644	Screw, countersunk head 2.3x10	MR-217	1
2-21	ZS424056	Screw, pan head 4x10		2
2-22	ZS403222	Screw, countersunk head 3x10		2
2-23	MB625566	Counter Belt D88.4x1.4	MY-1046	3
2-24	ML314976	Brake Lever A	MR-210	1
2-25	MT314987	Brake Band	MR-213	2
2-26	MZ314998	Brake Band Retaining Plate	MR-212	4
2-27	MZ315000	Brake Band Support	MR-214	2
2-28	MG540551	Brake Spring	ND-1076	2
2-29	ZW290283	'U' Ring 2.85M	6-1-1	1
2-30	MH317373	Brake Lever Prop	MR-102	1

FIG. 3 MAIN MOTOR BLOCK



MAIN MOTOR BLOCK

Ref. No.	Parts No.	Description	Schematic No.	Q'ty
3-1x	BM600298	Main Motor (SCM2-24KJ) Block		
		Comp.	KJ, MY	1
3-2	ZW597543	Thrust Washer A	KJ-7009	1
3-3	ZW605698	Thrust Washer B	KJ-7009	1
3-4	ZW597622	Felt Washer	KJ-7022	1
3-5	SK597633	Cap	KJ-7023	1
3-6	BZ600300	Detector Gear Block Comp.	KJ, MY, TE-11	1
3-7	MV368886	Steel Ball D3		1
3-8	MZ597666	Motor Shield Plate	KJ-7026	1
3-9	MZ597644	Thrust Angle	KJ-7024	1
3-10	MZ597690	Ball Holder	KJ-7029	1
3-11	MS597655	Thrust Holding Prop	KJ-7025	2
3-12	ZS413234	Screw, pan head 4x12		4
3-13	ZW603786	Adjust. Washer (U)		
		D4x13x0.2t		2
3-14x	ZW603797	Adjust. Washer (U)		
		D4x13x0.5t		2
3-15x	ZW603764	Adjust. Washer (U)		
		D4x13x1.2t		2
3-16x	ZW603775	Adjust. Washer (U)		
		D4x13x1.6t		2
3-17	MZ625577	Motor Shield Plate	MY-1047	1

FIG. 4a OPERATION BLOCK

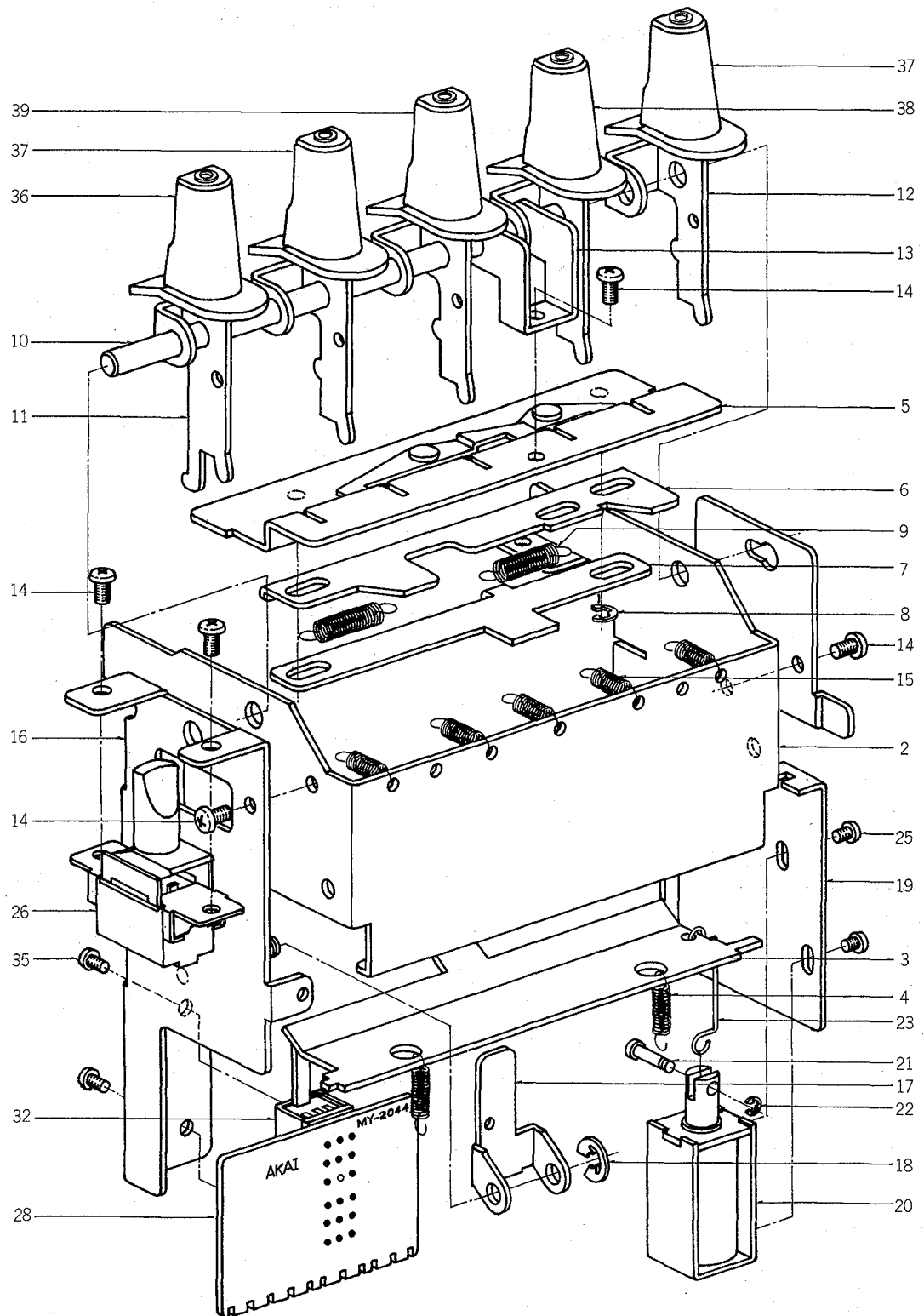
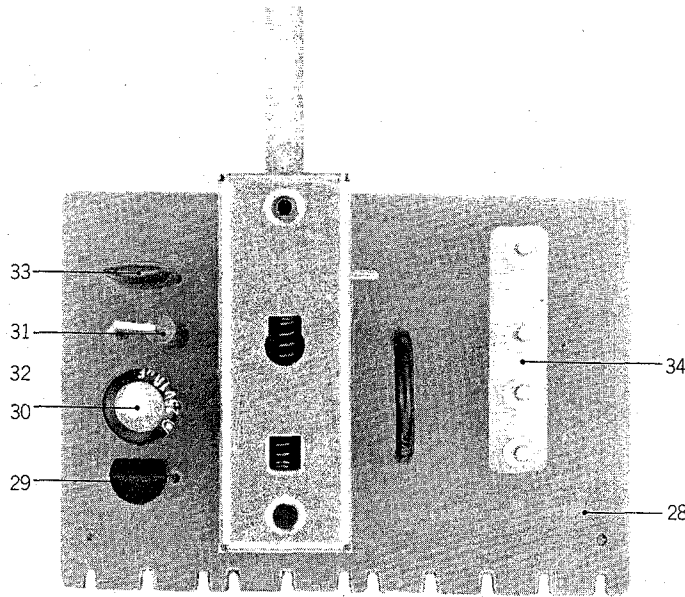


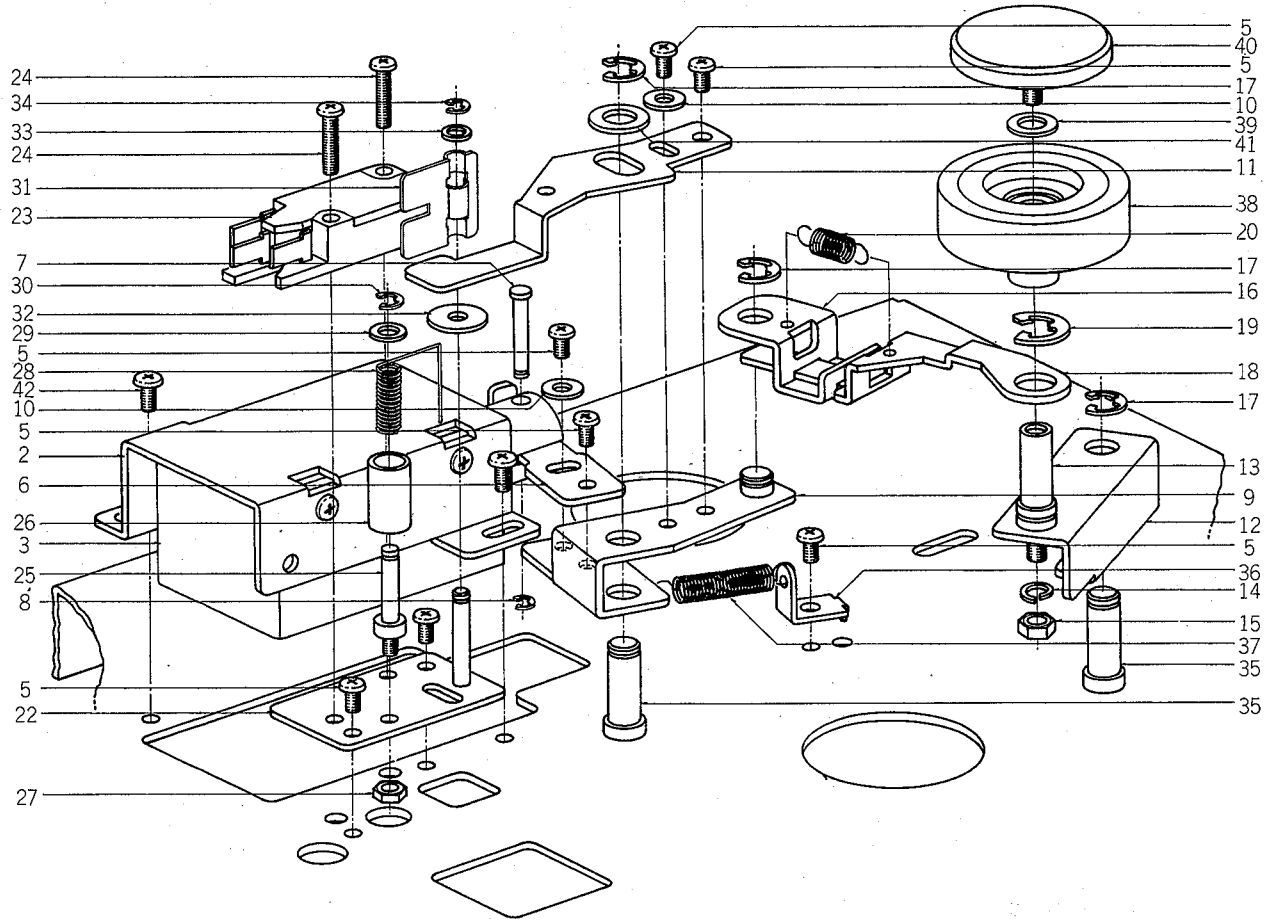
FIG. 4b OPERATION BLOCK



OPERATION BLOCK

Ref. No.	Parts No.	Description	Schematic No.	Q'ty	Ref. No.	Parts No.	Description	Schematic No.	Q'ty
4-1x	BZ622484	Operation Block Comp.	MY	1	4-35	ZS432843	Screw, pan head 2.6x4		2
4-2	MZ626850	Button Bracket	MY-2001	1	4-36	SB626962	Operat Button 1 (Red)	MY-6012	1
4-3	MZ625612	Lock Plate	MY-2003	1	4-37	SB626973	Operat Button 2 (Yellow)	MY-6012	2
4-4	ZG568934	Lock Spring	CP-3011	2	4-38	SB626984	Operat Button 3 (Green)	MY-6012	1
4-5	MS625601	Lever Guide, w/pin C	MY-2002	1	4-39	SB626995	Operat Button 4 (White)	MY-6012	1
4-6	MZ625678	Slider Plate A	MY-2009	1					
4-7	MZ625680	Slider Plate B	MY-2010	1					
4-8	ZW270101	'E' Ring 3M	6-1-9	2					
4-9	ZG625331	Wind Spring	MY-1023	2					
4-10	MS625623	Button Shaft	MY-2004	1					
4-11	ML625645	Record Lever	MY-2006	1					
4-12	ML625634	Operat Lever	MY-2005	4					
4-13	MZ625656	Shaft Angle	MY-2007	1					
4-14	ZS422076	Screw, pan head 3x5		7					
4-15	ZG625667	Operat Lever Spring	MY-2008	5					
4-16	MZ625746	Operat Side Plate B, w/sw. Shaft	MY-2016	1					
4-17	ML625724	REC. SW. Lever	MY-2014	1					
4-18	ZW290283	'U' Ring 2.85M	6-1-1	1					
4-19	MZ625735	Operat Side Plate A	MY-2015	1					
4-20	EP494425	Plunger Solenoid 0730THT1	44-1-48	1					
4-21	MH494414	Joint Pin	CG-1206	1					
4-22	ZW270088	'E' Ring 1.9M	6-1-9	1					
4-23	MZ625757	Joint	MY-2017	1					
4-24x	ED224526	Silicon Diode 10D1	45-2-11	1					
4-25	ZS592378	Screw, pan head 2.6x3		2					
4-26	ES621911	Lever SW. J-U2002	25-4-24	1					
4-27x	ER589566	Spark Quencher U/L (DIP Type)0.1μ+120Ω 250WV	41-1-60	1					
4-28	EA615082	REC. SW. P.C. Board	MY-2044	1					
4-29	ET398711	Transistor 2SC945(Q)(R)	45-1-85	1					
4-30	EC220994	Elect./C. 10μF 25WV (Vert. Type)	24-12-9	1					
4-31	ER212883	Carbon/R. RD1/4 4.7k(J) (Stop. Type)	35-10-1	1					
4-32	ES621933	Push SW. UEG-63E08	25-5-150	1					
4-33	EC250885	Mylar 0.01μF(K) 50WV (Vert. Type)	24-1-1	1					
4-34	EZ623878	Pin For V Connector, w/Base RTB-1.5-4	32-1-61	1					

FIG. 5 PINCH ROLLER PLUNGER/QUICK SW. BLOCK



PINCH ROLLER PLUNGER/QUICK SW. BLOCK

Ref. No.	Parts No.	Description	Schematic No.	Q'ty	Ref. No.	Parts No.	Description	Schematic No.	Q'ty
PINCH ROLLER PLUNGER BLOCK					QUICK SW. BLOCK				
5-1x	BZ622596	Pinch Roller Plunger Block Comp.	MY	1	5-21x	BS622620	Quick SW. Block Comp.	MY	1
5-2	MZ625768	Plunger Bracket	MY-2018	1	5-22	EZ625781	Quick SW. Table, w/prop	MY-2020	1
5-3	EP573658	Plunger Solenoid 1660THT-3	44-1-66	1	5-23	ES562465	Micro SW. K-1	25-1-26	1
5-4x	ED224550	Silicon Diode 10D4	45-2-16	1	5-24	ZS483502	Screw, pan head 3x13		2
5-5	ZS422076	Screw, pan head 3x5		7	5-25	MH528513	SW. Pin	ND-1055	1
5-6	MZ625770	Plunger Plate	MY-2019	1	5-26	MH527635	SW. Pipe	ND-1054	1
5-7	MH533913	Connecting Pin	TW-2010	1	5-27	ZW273756	Nut M3		1
5-8	ZW270088	'E' Ring 1.9M	6-1-9	2	5-28	ZG529211	SW. Spring	ND-1053	1
5-9	ML625386	Plunger Lever, w/pin B	MY-1028	1	5-29	ZW259738	Washer (Polyslider) D4.1x7x0.25t		1
5-10	ZW555693	Washer D3.2x8x0.5t		2	5-30	ZW270101	'E' Ring 3M	6-1-9	1
5-11	ML625397	Quick SW. Lever	MY-1030	1	5-31	MZ529391	Quick Plate	ND-1063	1
5-12	MZ625421	Pinch Roller Arm	MY-1032	1	5-32	ZW622001	Washer D3.1x13x0.5t		1
5-13	MS625432	Pinch Roller Shaft	MY-1033	1	5-33	ZW622012	Washer D3.1x5x0.2t		1
5-14	ZW273914	Spring Washer M4		1	5-34	ZW270088	'E' Ring 1.9M	6-1-9	1
5-15	ZW416698	Nut M4		1	5-35	MS625184	Pinch Roller Arm Shaft	MY-1006	2
5-16	MZ625443	Pinch Roller Plate A	MY-1034	1	5-36	MZ582030	Spring Hanger	TD-1018	1
5-17	ZW270134	'E' Ring 5M	6-1-9	3	5-37	ZG580768	Spoke Spring	TD-2077	1
5-18	MZ625454	Pinch Roller Plate B	MY-1035	1	5-38	MP625048	Pinch Roller H, LC	LC-321	1
5-19	ZW334653	'E' Ring 7M	6-1-9	1	5-39	ZW260010	Washer (PBP) D6.1x10x0.1t		1
5-20	ZG625465	Pinch Roller Spring	MY-1036	1	5-40	SK631326	Pinch Roller Cap C	MS-6020	1
					5-41	ZW621876	Washer D6.2x13x1t		1
					5-42	ZG608321	Screw, pan head 3x6, w/washer		2

FIG. 6 IMPEDANCE ROLLER BLOCK

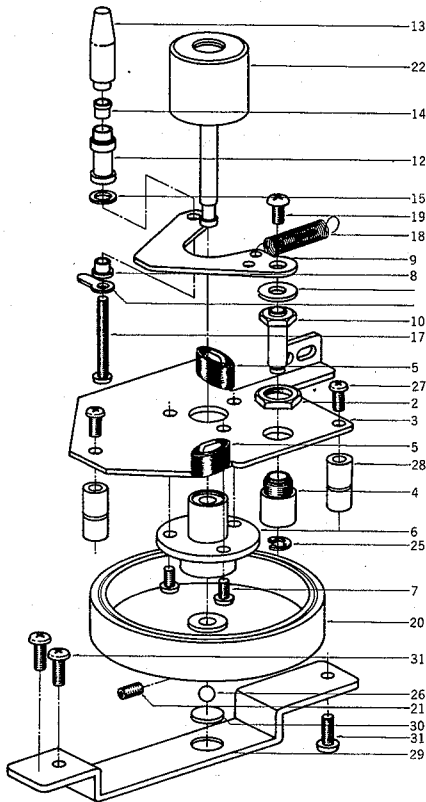
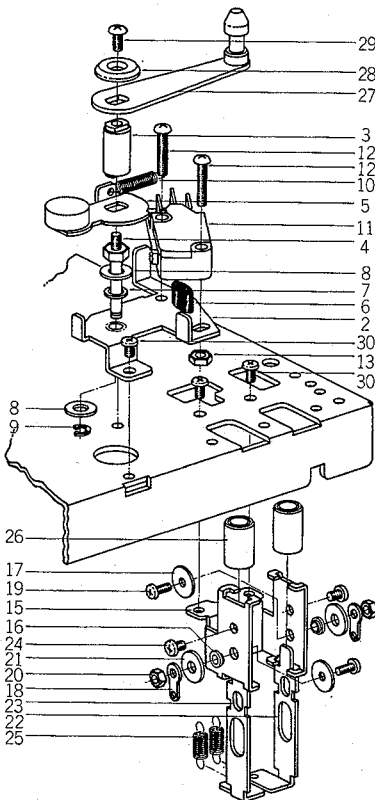


FIG. 7 TENSION ARM/DIRECTION SW. BLOCK



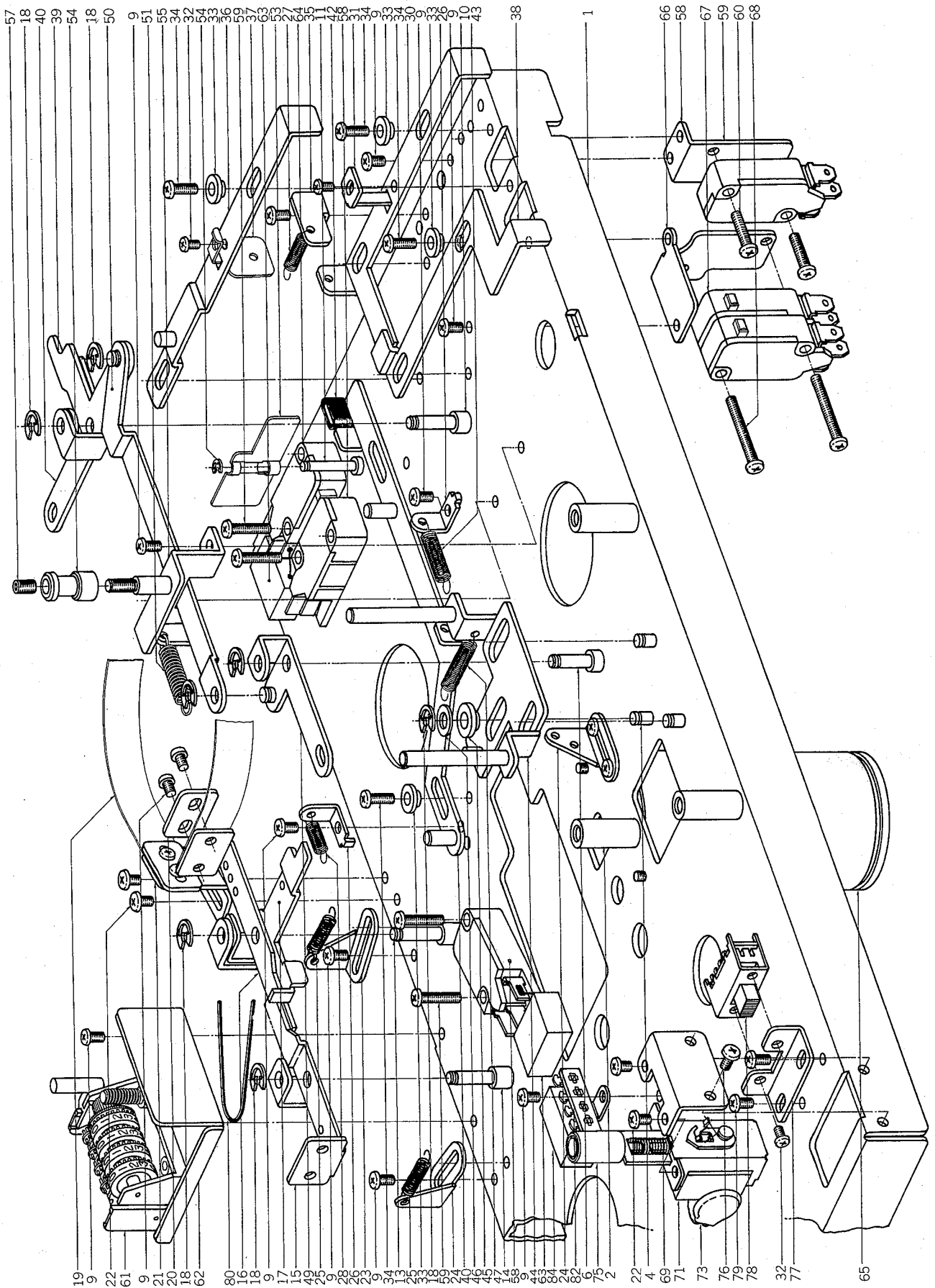
IMPEDANCE ROLLER BLOCK

Ref. No.	Parts No.	Description	Schematic No.	Q'ty
6-1x	BI600355	Impedance Roller Block Comp.	KJ,MY	1
6-2	ZW603990	Metal Nut	6-3-9	1
6-3	MZ597071	Impedance Base	KJ-2027	1
6-4	MV597082	Sensing Shaft Metal	KJ-2028	1
6-5	MZ606712	Stopper Rubber KJ	KJ-2060	2
6-6	MZ597093	Metal Case, w/metal		1
6-7	ZS499331	Screw, pan head 2.3x5	KJ-2029	3
6-8	EZ606701	Insulator Collar (L)	KJ-2039	1
6-9	MZ597137	Sensing Arm	KJ-2036	1
6-10	MS597148	Sensing Shaft	KJ-2037	1
6-11	ZW604012	Washer D4.3x11x0.1t		3
6-12	MZ597172	Sensing Post (Lower)	KJ-2040	1
6-13	MZ597150	Sensing Post (Upper)	KJ-2038	1
6-14	SE597161	Insulated Collar S	KJ-2039	1
6-15	ZW601075	Washer D4.1x7x0.1t		1
6-16	ZW273633	Earth Lug M2.3		1
6-17	ZS484828	Screw, binding head 2.3x25		1
6-18	ZG646020	Z Arm Spring	MY-2059	1
6-19	ZS201150	Screw, truss head 3x6 (black)		1
6-20	MI597183	Flywheel	KJ-2041	1
6-21	ZS593796	Set Screw, hexagon socket 3x6 (Flat/p.)		2
6-22	MR597115	Impedance Roller, w/shaft	KJ-2033	1
6-23x	MZ597126	Roller Plate	KJ-2035	1
6-24x	ZW649618	Washer D4x10x1t		1
6-25	ZW270101	'E' Ring 3M	6-1-9	1
6-26	MV537862	Steel Ball D4		1
6-27x	ZS422076	Screw, pan head 3x5		3
6-28	MH625162	Z Block Prop	MY-1004	3
6-29	MZ596823	Thrust Plate	KJ-1004	1
6-30	ZW593212	Washer D8x1t		1
6-31	ZS421806	Screw, pan head 3x8		3

TENSION ARM/DIRECTION SW. BLOCK

Ref. No.	Parts No.	Description	Schematic No.	Q'ty
TENSION ARM BLOCK				
7-1x	BZ622618	Tension Arm Block Comp.	MY	1
7-2	MZ625803	Tension Arm Table, w/metal	MY-2022	1
7-3	MS625825	Tension Shaft A	MY-2024	1
7-4	MS615014	Tension Shaft B	MY-2032	1
7-5	MZ627265	Tension SW. Cam, w/counter weight	MY-2025	1
7-6	MZ810191	Cushion Rubber, RD	RD-278	1
7-7	ZW601075	Washer D4.1x7x0.1t		1
7-8	ZW419646	Washer (SPC) D4.5x9.8x0.5t		2
7-9	ZW270101	'E' Ring 3M	6-1-9	1
7-10	ZG614970	Tension Spring	MY-2026	1
7-11	ES562465	Micro SW. K-1	25-1-26	1
7-12	ZS422965	Screw, pan head 3x15		2
7-13	ZW273756	Nut M3		1
DIRECTION SW. BLOCK				
7-14x	BS622642	Direction SW. Block Comp.	MY	1
7-15	MZ614981	Direction SW. Table	MY-2027	1
7-16	MZ316822	Insulator Collar B	MR-225	2
7-17	HZ542092	Insulated Washer	MC-0213	2
7-18	ZW316800	Earth Lug M2.6		2
7-19	ZS464692	Screw, binding head 2.3x6		2
7-20	ZW273688	Nut M2.3		2
7-21	ZW563218	Washer (Bake) D3.2x10x1t		2
7-22	ML614992	Direction Lever A	MY-2028	1
7-23	ML615003	Direction Lever B	MY-2028	1
7-24	ZS417216	Screw, pan head 3x4		2
7-25	ZG317777	Pull Spring	MR-47	2
7-26	SB614428	Power Button B	A5-5021	2
7-27	ME580465	Tension Arm, w/guide B	TD-2039	1
7-28	ZW535094	Decorative Washer	TW-2077	1
7-29	ZS200395	Screw, countersunk head 3x6		1
7-30	ZS422076	Screw, pan head 3x5		2

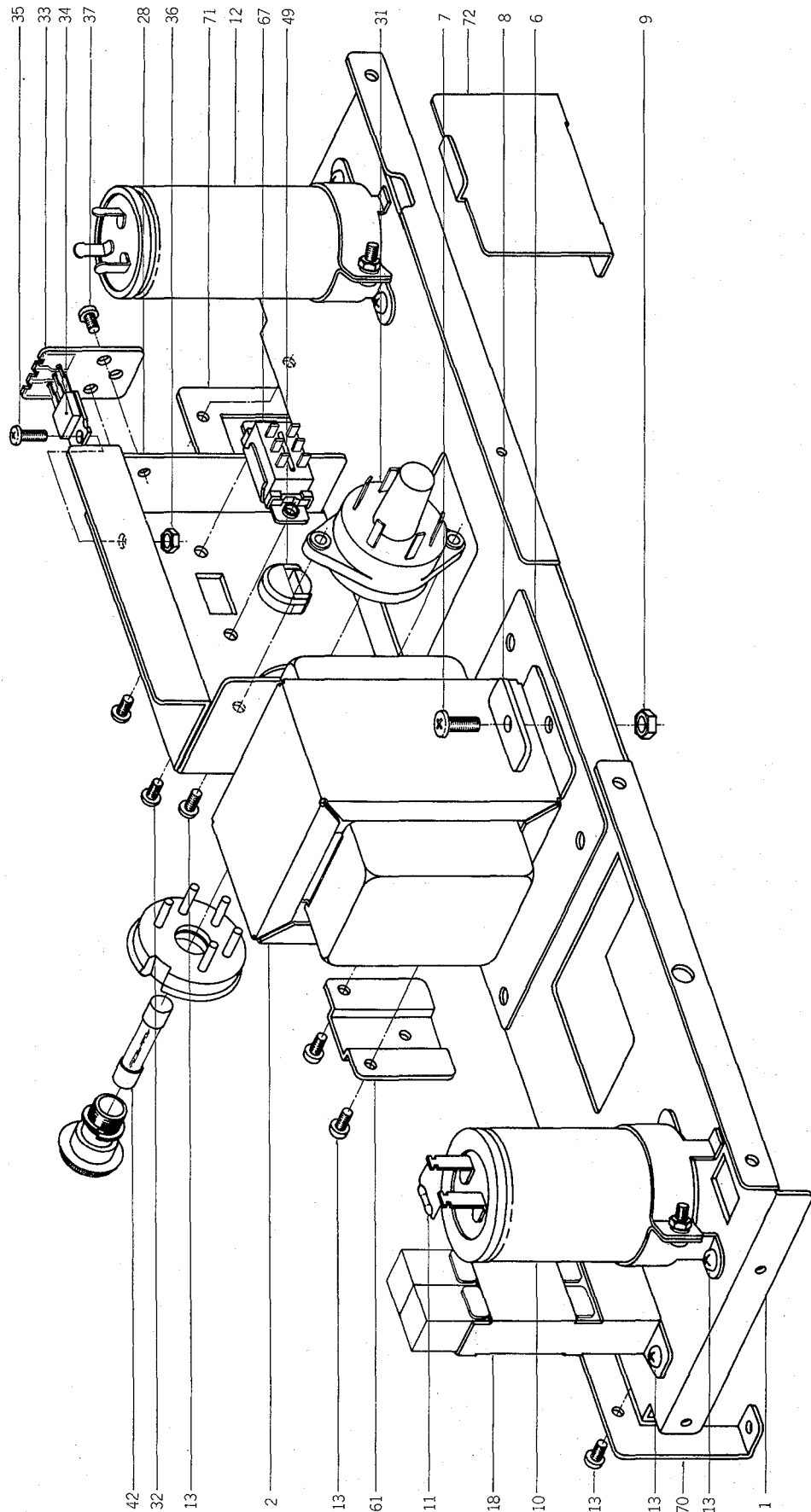
FIG. 8 MECH. ASSEMBLY BLOCK



MECH. ASSEMBLY BLOCK

Ref. No.	Parts No.	Description	Schematic No.	Q'ty	Ref. No.	Parts No.	Description	Schematic No.	Q'ty
8-1	MZ627142	Mech. Frame	MY-1001	1	8-45	ZW580173	Guide Washer	TD-1055	3
8-2	MH625140	Head Base Prop	MY-1002	3	8-46	ZW420682	Washer (Nylon) D4.2x9x0.5t		3
8-3x	ZS413201	Screw, pan hed 4x8		3	8-47	ZG535105	Tension Arm Spring	TW-2078	1
8-4	MH581927	Shifter Guide Post	TD-1006	3	8-48x	MZ314673	Reel Motor Shield	MR-123	1
8-5x	ZW273756	Nut M3		3	8-49	ML625353	Shifter Lever, w/pin 2	MY-1025	1
8-6	MZ625151	Shifter Lever Post	MY-1003	1	8-50	MZ625364	Connecting Plate	MY-1026	1
8-7x	ZW416698	Nut M4		4	8-51	ZG625375	Play Spring	MY-1027	1
8-8x	MH625162	Z Block Prop	MY-1004	3	8-52x	ZG580768	Spoke Spring	TD-2077	1
8-9	ZS422076	Screw, pan head 3x5		36	8-53	MZ625500	Quick Plate	MY-1040	1
8-10	MH625173	Lever Prop	MY-1005	1	8-54	ZW270088	'E' Ring 1.9M	6-1-9	1
8-11	MZ625498	SW. Post	MY-1039	1	8-55	MZ625511	Reverse Guide Table, w/prop	MY-1041	1
8-12x	ZW273756	Nut M3		1	8-56	HZ315090	Reverse Guide	RD-225	1
8-13	MH625195	Brake Lever Prop	MY-1007	1	8-57	ZS344463	Set Screw, hexagon socket 4x6 (cup/p.)		1
8-14	MH317373	Brake Lever Prop	MR-102	1	8-58	EZ625522	SW. Angle A	MY-1042	1
8-15	ML396810	Brake Lever B	KD-1038	1	8-59	ES573456	Micro SW. K-2	25-1-30	3
8-16	ML314976	Brake Lever A	MR-210	1	8-60	ZS483502	Screw, pan head 3x13		8
8-17	ML625206	Brake Lever C	MY-1009	1	8-61	MC621887	Counter MP-490-21	9-1-38	1
8-18	ZW290283	'U' Ring 2.85M	6-1-1	9	8-62	MZ625487	Counter Base	MY-1038	1
8-19	MT314987	Brake Band	MR-213	2	8-63	ER376435	Spark Quencher U/L 0.1μ+120Ω 250WV	411-35	2
8-20	MZ314998	Brake Band Retaining Plate	MR-212	4	8-64	ES562465	Micro SW. K-1	25-1-26	1
8-21	MZ31500	Brake Band Support	MR-214	2	8-65	EC520626	MP/C. (3+1)μFx2 250WV AC (Lug Type Uni/D.)	24-9-74	1
8-22	ZS417216	Screw, pan head 3x4		6	8-66	EZ625533	SW. Angle B	MY-1043	1
8-23	MZ397080	Spring Rack	KD-1010	1	8-67	ES573478	Micro SW. K-3	25-1-31	2
8-24	MZ314605	Spring Rack, MR	MR-104	2	8-68	ZS608264	Screw, pan head 3x25		2
8-25	ZG540551	Brake Spring	ND-1076	2	8-69	EZ625544	Power SW. Table	MY-1044	1
8-26	MZ582030	Spring Hanger	TD-1018	2	8-70x	EA626411	Power SW. P.C. Board	MY-1054	1
8-27	ZG625217	Lever Spring	MY-1010	2	8-71	ES479395	Push SW. TV-3 JH5	25-5-62	1
8-28	ZG371114	Reset Lever Spring	ED-219	1	8-72x	ES621178	Push SW. S-J4162 (CEE)	25-5-145	1
8-29x	ER589566	Spark Quencher U/L (Dip Type) 0.1μ+120Ω 250WV	41-1-60	1	8-73	EC551160	Ceramic/C. NB821 YZ 0.01μF(Z) 1.4kWV	24-5-55	2
8-30	MZ625228	FF Plate	MY-1011	1	8-74x	EC565896	Ceramic/C. DP6600 YM 0.01μF(P) 1.4kWV (JPN, CAS)	24-5-58	1
8-31	ML625230	SW. Lever	MY-1012	1	8-75	SB614428	Power Button B	A5-5021	1
8-32	ZS432843	Screw, pan head 2.6x4		4	8-76	ZS325495	Tapping Screw #2 3x6		1
8-33	ZW625241	Graduated Washer	MY-1013	8	8-77	MZ625555	Speed SW. Table	MY-1045	1
8-34	ZS421806	Screw, pan hed 3x8		8	8-78	ES621898	Slide SW. SSC342B	25-3-109	1
8-35	MZ625307	Spring Rack	MY-1020	1	8-79	ZS432674	Screw, pan head 3x3		1
8-36	MZ625252	Play Plate, w/pin	MY-1014	1	8-80	MB625566	Counter Belt D88.4x1.4	MY-1046	1
8-37	ZG625263	SW. Spring	MY-1015	1	8-81x	EJ205986	Cramp Terminal 2-SD	32-1-8	15
8-38	MZ625274	RWD Plate	MY-1016	1	8-82	EJ255093	Lug Plate VB1L1	33-4-1	1
8-39	ML625285	Play Lever, w/pin	MY-1017	1	8-83	EJ255115	Lug Plate VB2L2	33-4-3	1
8-40	ML625296	Wind Lever, w/pin	MY-1019	1	8-84	ER554556	Cement/R. 5W 39Ω(K) (Wire-wound Type)	35-16-3	1
8-41	MZ625318	Brake Plate, w/pin	MY-1021	1					
8-42	MZ810191	Cushion Rubber, RD	RD-278	1					
8-43	ZG456186	Lock Lever Spring	CC-1119	1					
8-44	MZ625342	Shifter Plate, w/pin	MY-1024	1					

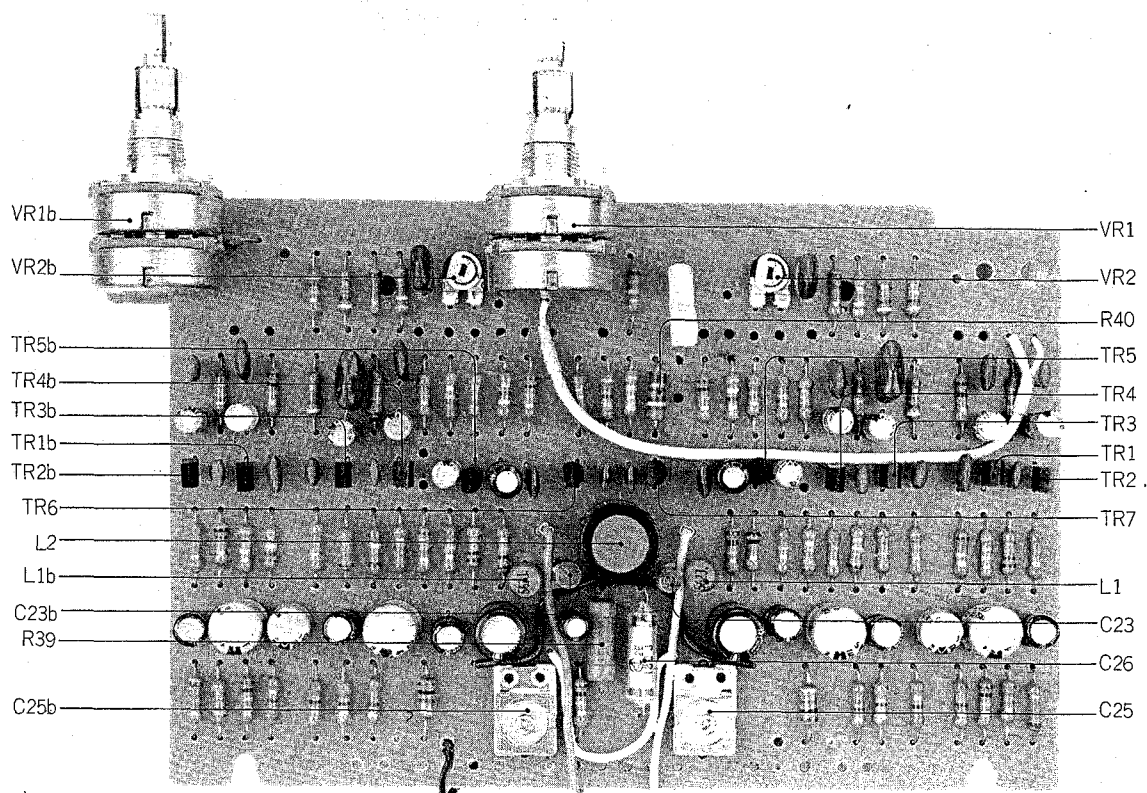
FIG. 9 POWER SUPPLY BLOCK



POWER SUPPLY BLOCK

Ref. No.	Parts No.	Description	Schematic No.	Q'ty	Ref. No.	Parts No.	Description	Schematic No.	Q'ty
9-1	MZ627017	Power Chassis	MY-2029	1	9-60x	EJ364915	Multi-Jack 10P		
9-2	BT621922	Power Trans. MYT-1	38-4-314	1			PB01-10S-24E2G (230)	31-4-15	1
9-3x	BT621944	Power Trans. MYT-1A (230)	38-4-315	1	9-61	MZ629414	Reinforcement Bracket	MY-2055	1
9-4x	BT621988	Power Trans. MYT-11 (JPN, CSA)	38-4-316	1	9-62x	MZ259233	Wire Band C	3A-745	1
9-5x	BT621990	Power Trans. MYT-12 (CEE)	38-4-317	1	9-63x	ZW273881	Earth Lug M4 (CEE)		1
9-6	MZ627636	Trans. Shield Plate	MY-2053	1	9-64x	ZW273892	Toothed Lock Washer M4 (CEE)		1
9-7	ZS424056	Screw, pan head 4x10		2	9-65x	ZS413201	Screw, pan head 4x8 (CEE)		1
9-8	EZ486617	Trans. Reinforcement Plate B	LF-5222	2	9-66x	ZW416698	Nut M4 (CEE)		1
9-9	ZW413188	Nut M4		2	9-67	ES479485	Slide SW. S-1	25-3-66	1
9-10	EC364858	Elect. 330μF 160WV (Lug Type)	24-10-56	1	9-68x	ZS414178	Screw, truss head 3x5, w/washer		2
9-11	ER365016	Carbon/R. RD1/4 220k(J) (Insu. Type)	35-9-5	1	9-69x	SM647245	Cycle Name Plate	MY-2058	1
9-12	EC593763	MP/C. 3.5+1.5μF 150WV AC (Lug Type Uni/D.)	24-9-88	1	9-70	EZ615058	P.C. Board Holder A	MY-2040	1
9-13	ZS325495	Tapping Screw #2 3x6		18	9-71	EZ615060	P.C. Board Holder B	MY-2-41	1
9-14x	ED224572	Silicon Diode 5B2 (230)	45-2-20	1	9-72	EZ615071	P.C. Board Holder C	MY-2042	1
9-15x	EC401580	Elect. 2200μF 50WV (Lug Type) (230)	24-10-44	1	9-73x	EJ300508	Mate-N-Lock Plug Housing 9P 1-480274-0	52-1-7	1
9-16x	ZW562476	Earth Lug M3 (230)		1	9-74x	EJ373634	Socket Contact 61115-1	52-1-1	9
9-17x	ZW273802	Toothed Lock Washer M3 (230)		1	9-75x	EA624521	Fuse P.C. Board MY-1-A (JPN, CAS)	33-2-46	1
9-18	ER575640	Cement/R. H(20+20) B(43+220+180)K	35-16-54	1	9-76x	EA624532	Fuse P.C. Board MY-1-B (JPN, CSA)	33-2-47	1
9-19x	EZ632068	Jack Silk Plate (230)	MY-2056	1	9-77x	EA624554	Fuse P.C. Board MY-2-A (CEE)	33-2-48	1
9-20x	MZ615104	SP Jack Bracket (230)	MY-2047	1	9-78x	EA624565	Fuse P.C. Board MY-2-B (CEE)	33-2-49	1
9-21x	EJ328364	Mic. Jack 2PMJ3 (230)	31-2-20	2	9-79x	EA615093	Fuse P.C. Board MY-1 (JPN, CSA)	MY-2045	1
9-22x	ZW272722	Toothed Lock Washer M9 D9.3x13x0.5t (230)		2	9-80x	EA614632	Fuse P.C. Board MY-2 (CEE)	MY-2046	1
9-23x	ZW560237	E Jack Nut (230)		2					
9-24x	ZW393164	Washer (SUP) D9.1x11.7x0.25t (230)		2					
9-25x	EZ623237	Mech. Harness	26-6-221	1					
9-26x	MZ623913	Mech. Harness MY-2 (JPN, CSA, CEE)	26-6-222	1					
9-27x	EZ624047	Cord Retainer	2-7-48	4					
9-28	MZ626861	VS Table A	MY-2030	1					
9-29x	MZ625858	VS Table B (CSA, CEE)	MY-2030	1					
9-30x	MZ647133	VS Base C (JPN)	MY-2030	1					
9-31	EJ233370	Socket S-18010 (Volt. Selector)	40-2-3	1					
9-32	ZS481724	ISO Screw, truss head 3x6		2					
9-33	EA628075	Transistor P.C. Board	MY-2054	1					
9-34	ET621786	Transistor T1P-48	45-1-197	1					
9-35	ZS421806	Screw, pan head 3x8		1					
9-36	ZW273756	Nut M3		1					
9-37	ZS422076	Screw, pan head 3x5		2					
9-38x	ZS462925	Tapping Screw #2 4x8 (BR)		4					
9-39x	EZ614586	Fuse Table MY	MY-2043	2					
9-40x	ZS379350	ISO Screw, pan head 3x6		4					
9-41x	ZS455207	Tapping Screw #2 3x5 (BR)		4					
9-42	EF563703	Fuse 2A 250V	39-1-50	1					
9-43x	EF563703	Fuse 2A 250V (JPN)	39-1-50	2					
9-44x	EF563681	Fuse 1A 250V (JPN)	39-1-50	4					
9-45x	EF511637	Fuse ULMF61M 250V 1A (CSA)	39-1-45	4					
9-46x	EF602550	Fuse 1.25AT 250V (CEE)	39-1-53	1					
9-47x	EF601942	Fuse (SEMKO) 630MAT (CEE)	39-1-53	1					
9-48x	EF624543	Fuse ULMF61M 250V 2A (CSA)	39-1-45	2					
9-49	EJ631945	Strain Relief SR-4N-4	2-7-49	1					
9-50x	EZ246936	Strain Relief SR-6W-1 (WG, 3 core)	2-7-8	1					
9-51x	EW374894	U/L AC Cord 3M	26-3-19	1					
9-52x	EW524845	AC Cord 2.5M (J)	26-3-31	1					
9-53x	EW516600	Power Cord VM-0065 (CEE)	26-3-28	1					
9-54x	EW604585	Power Cord BSI	26-3-37	1					
9-55x	EJ205986	Cramp Terminal 2-SD	32-1-8	2					
9-56x	ES479395	Push SW. TV-3 JH5 (JPN, CSA)	25-5-62	1					
9-57x	ES621178	Push SW. S-J4162 (CEE)	25-5-145	1					
9-58x	EJ297066	Mate-N-Lock Plug Housing 3P 1-480304-0 (230)	52-1-5	1					
9-59x	EJ373634	Socket Contact 61115-1 (230)	52-1-1	1					

FIG. 10 REC. OSC. P.C. BOARD (MY-5016) BLOCK

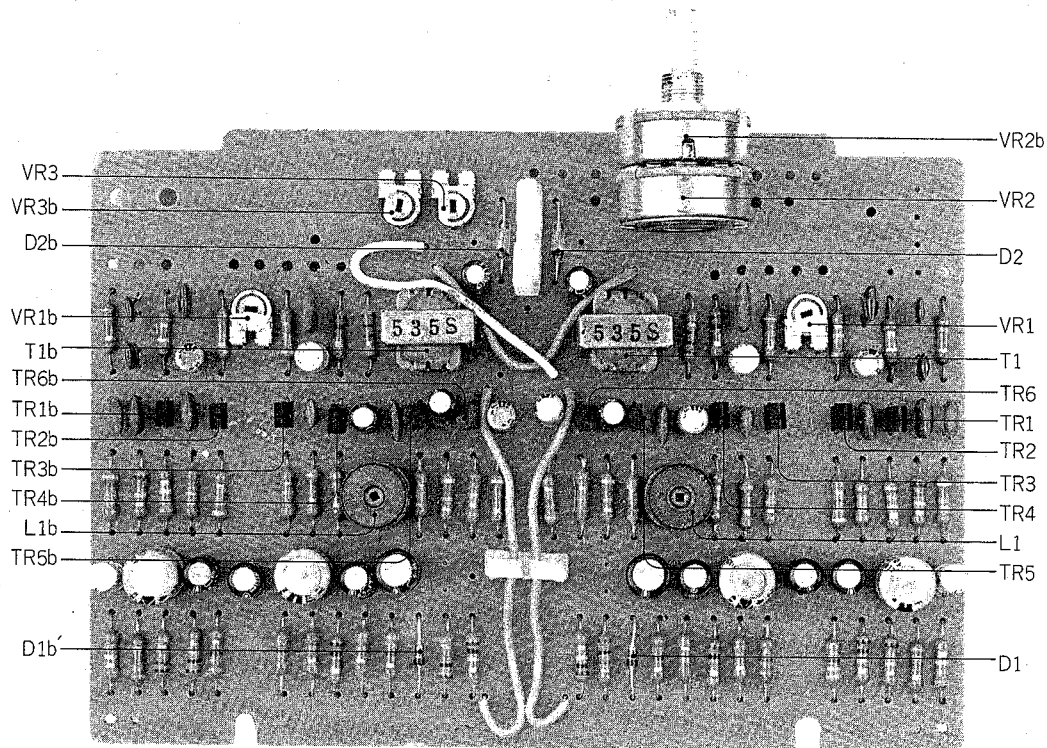


REC., OSC. P.C. BOARD (MY-5016) BLOCK

Symbol No.	Parts No.	Description	Q'ty	Symbol No.	Parts No.	Description	Schematic No.	Q'ty
10-1x	BA622721	Rec., Osc. P.C. Board Comp.	1	10-C9	EC329771	Elect. 47 μ F 6.3WV		2
10-TR1to4	ET523405	Transistor 2SC458LG(C)	8	10-C10	EC377212	VFM 47PF(J) 50WV		2
10-TR5to7	ET478001	Transistor 2SC945(P)(Q)	4	10-C11	EC320051	Elect. 10 μ F 16WV		2
10-L1	EO321254	Ferri Inductor FL7H 5.6MH(J)	2	10-C12	EC220678	Elect. 47 μ F 25WV		2
10-L2	EO383365	OSC. Coil OT-204	1	10-C13	EC329771	Elect. 47 μ F 6.3WV		2
10-VR1	EV622078	Double Vol. V24L5DPHN		10-C14	EC399565	VFM 22PF(J) 50WV		2
		A50kx2	2	10-C15	EC290520	VFM 100PF(J) 50WV		2
10-VR2	EV522797	Semi-fixed/Vol. V8K4-1 20 k Ω	2	10-C16	EC379170	Mylar 0.1 μ F(J) 50WV		2
10-R39	ER515070	Metal Oxide Film/R. 2W 150 Ω (K)	1	10-C17	EC320051	Elect. 10 μ F 16WV		2
10-R40	ER426892	Solid/R. RC1/2 2.4k(J)	1	10-C18	EC329771	Elect. 47 μ F 6.3WV		2
		Capacitor, Vertical Type		10-C19	EC389496	Mylar 0.068 μ F(J) 50WV		2
10-C1	EC290520	VFM 100PF(J) 50WV	2	10-C20	EC220151	Elect. 100 μ F 25WV		2
10-C2	EC220678	Elect. 47 μ F 25WV	2	10-C21	EC320051	Elect. 10 μ F 16WV		2
10-C3	EC432810	Elect. 10 μ F 16WV NL	2	10-C22	EC220994	Elect. 10 μ F 25WV		2
10-C4	EC290520	VFM 100PF(J) 50WV	2	10-C23	EC405898	Styrol 470PF(J) 50WV		2
10-C5	EC220364	Elect. 100 μ F 6.3WV	2	10-C24	EC250841	Mylar 0.01 μ F(J) 50WV		2
10-C6,7	EC399565	VFM 22PF(J) 50WV	4	10-C25	EC558202	Trimmer TM-80A		2
10-C8	EC320051	Elect. 10 μ F 16WV	2	10-C26	EC558235	Styrol 1800PF(J) 250WV		1
				10-C27,28	EC250841	Mylar 0.01 μ F(J) 50WV		2
				10-C29	EC450055	Elect. 1 μ F 25WV		1

Carbon Resistor Omitted

FIG. 11 P.B. P.C. BOARD (MY-5017) BLOCK

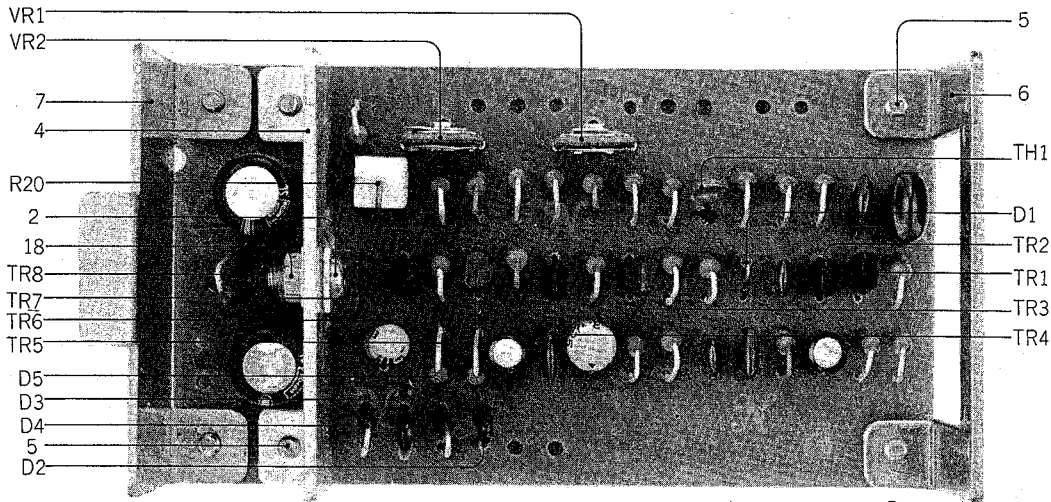


PB. P.C. BOARD (MY-5017) BLOCK

Symbol No.	Parts No.	Description	Q'ty	Symbol No.	Parts No.	Description	Schematic No.	Q'ty
11-1x	BA622732	PB. P.C. Board Comp. (MY-5017) (230D)	1	11-C16	EC290520	VFM 100PF(J) 50WV		2
11-2x	BA622743	PB. P.C. Board Comp. (MY-5017) (230)	1	11-C17	EC320051	Elect. 10 μ F 16WV		2
11-TR1to4	ET523405	Transistor 2SC458LG(C)	8	11-C18	EC220364	Elect. 100 μ F 6.3WV		2
11-TR5,6	ET478001	Transistor 2SC945(P)(Q)	4	11-C19	EC450055	Elect. 1 μ F 25WV		2
11-D1	ED570475	Zener Diode WZ-075	2	11-C20	EC320051	Elect. 10 μ F 16WV		2
11-D2	ED219464	Germanium Diode 1N34A	2	11-C21	EC450527	Elect. 4.7 μ F 25WV		2
11-L1	EO496361	Inductor 6070GE 23 MH(J)	2	11-C22	EC329771	Elect. 47 μ F 6.3WV		2
11-T1	BT517274	Headphone Trans. N16-535S	2	11-C23	EC368256	Elect. 0.47 μ F 25WV		2
11-VR1	EV464220	Semi-fixed/Vol. V8K4-1 50 kB	2					
11-VR2	EV622967	2-axial 2-throw/Vol. 50 kAx2 (Friction Type)	1					
11-VR3	EV464196	Semi-fixed/Vol. V8K4-1 2kB	2					
		Capacitor, Vertical Type						
11-C1	EC220678	Elect. 47 μ F 25WV	2					
11-C2	EC432810	Elect. 10 μ F 16WV NL	2					
11-C3	EC290520	VFM 100PF(J) 50WV	2					
11-C4	EC467133	VFM 68PF(J) 50WV	2					
11-C5	EC290520	VFM 100PF(J) 50WV	2					
11-C6	EC329771	Elect. 47 μ F 6.3WV	2					
11-C7	EC320051	Elect. 10 μ F 16WV	2					
11-C8	EC389485	Mylar 0.018 μ F(J) 50WV	2					
11-C9,10	EC250683	Mylar 0.0022 μ F(J) 50WV	4					
11-C11	EC220678	Elect. 47 μ F 25WV	2					
11-C12	EC329850	VFM 220PF(J) 50WV	2					
11-C13	EC432810	Elect. 10 μ F 16WV NL	2					
11-C14	EC329771	Elect. 47 μ F 6.3WV	2					
11-C15	EC399565	VFM 22PF(J)	2					

Carbon Resistor Omitted

FIG. 12 SERVO P.C. BOARD (MY-2036) BLOCK

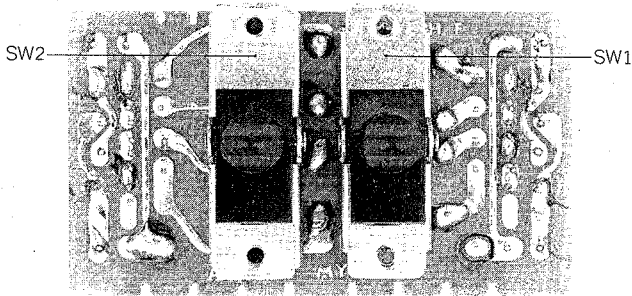


SERVO P.C. BOARD (MY-2036) BLOCK

Symbol No.	Parts No.	Description	Schematic No.	Q'ty
12-1x	BA622574	Servo P.C. Board Comp. (MY-2036)		1
12-TR1,2	ET478001	Transistor 2SC945(P)(Q)		2
12-TR3,4	ET399846	Transistor 2SC945(Q)		2
12-TR5	ET538154	Transistor 2SA564(Q)(R)		1
12-TR6	ET399846	Transistor 2SC945(Q)		1
12-TR7	ET623867	Transistor 2SD361(D1)(D2)		1
12-TR8	ET478001	Transistor 2SC945(P)(Q)		1
12-TH1	ED593357	Thermister 34D21		1
12-D1	ED557447	Silicon Diode 1S1588		1
12-D2to5	ED224548	Silicon Diode 10D2		4
12-VR1	EV621955	Semi-fixed/Vol. V10K8-1-5 B10k		1
12-VR2	EV621966	Semi-fixed/Vol. V10K8-1-5 B30k		1
12-2	ZS421806	Screw, pan head 3x8		1
12-3	ZW273756	Nut M3		1
12-4	EZ615047	Heat-sink Plate A		1
12-5	ZS422076	Screw, pan head 3x5		6
12-6	EZ615060	P.C. Board Holder B		1
12-7	EZ615071	P.C. Board Holder C		1
12-R20	ER593346	Cement/R. 2W 330Ω(K) (Wire-wound Type)		1
Capacitor, Vertical Type				
12-C1	EC251291	Mylar 0.1μF(K) 50WV		1
12-C2	EC251122	Mylar 0.027μF(K) 50WV		1
12-C3	EC250582	Mylar 0.0033μF(K) 50WV		1
12-C4	EC331828	Elect. 3.3μF 25WV		1
12-C5	EC251122	Mylar 0.027μF(K) 50WV		1
12-C6	EC250582	Mylar 0.0033μF(K) 50WV		1
12-C7	EC311793	Mylar 0.012μF(J) 50WV		1
12-C8	EC557166	Solid Aluminum 3.3μF 25WV		1
12-C9	EC450055	Elect. 1μF 25WV		1
12-C10	EC320051	Elect. 10μF 16WV		1
12-C11	EC220151	Elect. 100μF 25WV		1
12-C12	EC250885	Mylar 0.01μF(K) 50WV		1
12-C13	EC346735	Elect. 47μF 50WV		1

Carbon Resistor Omitted

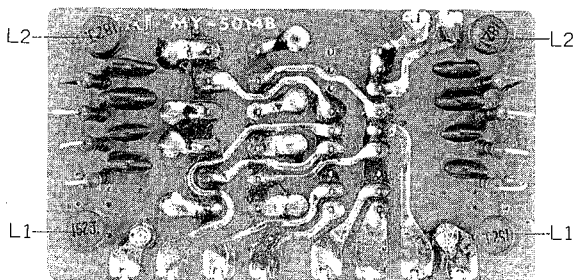
FIG. 13a EQ. P.C. BOARD (MY-5014A) BLOCK



EQ. P.C. BOARD (MY-5014A) BLOCK

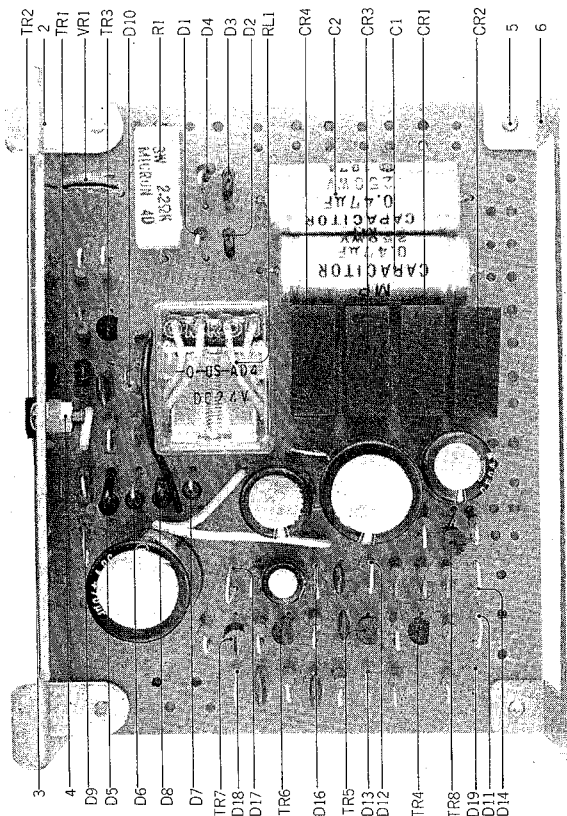
Symbol No.	Parts No.	Description	Schematic No.	Q'ty
13-1x	BA622710	EQ. P.C. Board Comp. (MY-5014A)		1
13-SW1	ES622023	Lever SW. J-L6004		1
13-SW2	ES622034	Lever SW. J-L7003		1
13-L1	EO369178	Ferri Inductor FL7H 1.5 MH(J)		2
13-L2	EO380564	Ferri Inductor FL7H 1.8 MH(J)		2
Capacitor, Vertical Type				
13-C1	EC329861	Mylar 0.027 μ F(J) 50WV		2
13-C2	EC368335	Mylar 0.022 μ F(J) 50WV		2
13-C3	EC379214	Mylar 0.047 μ F(J) 50WV		2
13-C4	EC379192	Mylar 0.039 μ F(J) 50WV		2

FIG. 13b EQ. P.C. BOARD (MY-5014B) BLOCK



Carbon Resistor Omitted

FIG. 14 POWER SUPPLY P.C. BOARD (MY-2037)



POWER SUPPLY P.C. BOARD (MY-2037) BLOCK

Symbol No.	Parts No.	Description	Schematic No.	Q'ty
14-1x	BA622563	Power Supply P.C. Board Comp. (MY-2037)		1
14-TR1	ET538694	Transistor 2SC1247A		1
14-TR2	ET537300	Transistor 2SD361(D)(E)		1
14-TR3to7	ET478001	Transistor 2SC9459 (P)(Q)		6
14-D1to4	ED224550	Silicon Diode 10D4		4
14-D5to8	ED494583	Silicon Diode 10D05		4
14-D9	ED560913	Silicon Diode 1S2473 VE		1
14-D10	ED357794	Zener Diode RD-SA(M)		1
14-D11to17	ED560913	Silicon Diode 1S2473 VE		8
14-CR1to4	ER376435	Spark Quencher U/L 0.1 μ +120 Ω 250WV		4
14-RL1	EP638763	Relay MY4-0-US DC24V		1
14-VR1	EV554670	Semi-fixed/Vol. V10K8-1-5 1KB		1
14-2	EZ626894	Heat-sink Plate B		1
14-3	ZS421806	Screw, pan head 3x8		1
14-4	ZW273756	Nut M3		1
14-5	ZS379350	ISO Screw, pan head 3x6		4
14-6	EZ615058	P.C. Board Holder A		1
Capacitor, Vertical Type				
14-C1,2	EC350987	MP 0.47 μ F(M) 250V AC (Tub. Type)		2
14-C3	EC564952	Elect. 470 μ F 50WV		1
14-C4	EC372148	Elect. 220 μ F 35WV		1
14-C5	EC250885	Mylar 0.01 μ F(K) 50WV		1
14-C6	EC313121	Elect. 220 μ F 25WV		1
14-C7	EC564952	Elect. 470 μ F 50WV		1
14-C8,9	EC250885	Mylar 0.01 μ F(K) 50WV		2
14-C10	EC251087	Mylar 0.022 μ F(K) 50WV		1
14-C11	EC220612	Elect. 33 μ F 25WV		1
14-C12	EC251087	Mylar 0.022 μ F(K) 50WV		1

Carbon Resistor Omitted

FIG. 15 MAIN AMP. (MS-5024) BLOCK

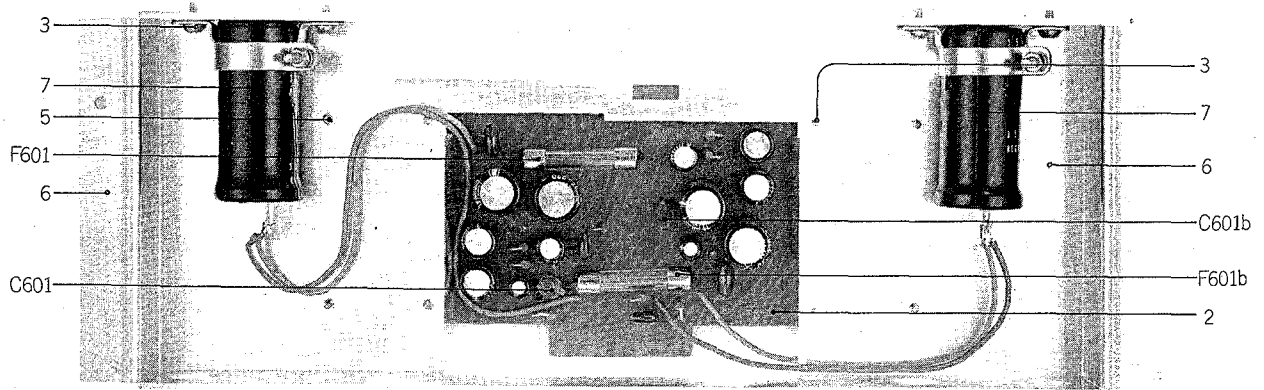
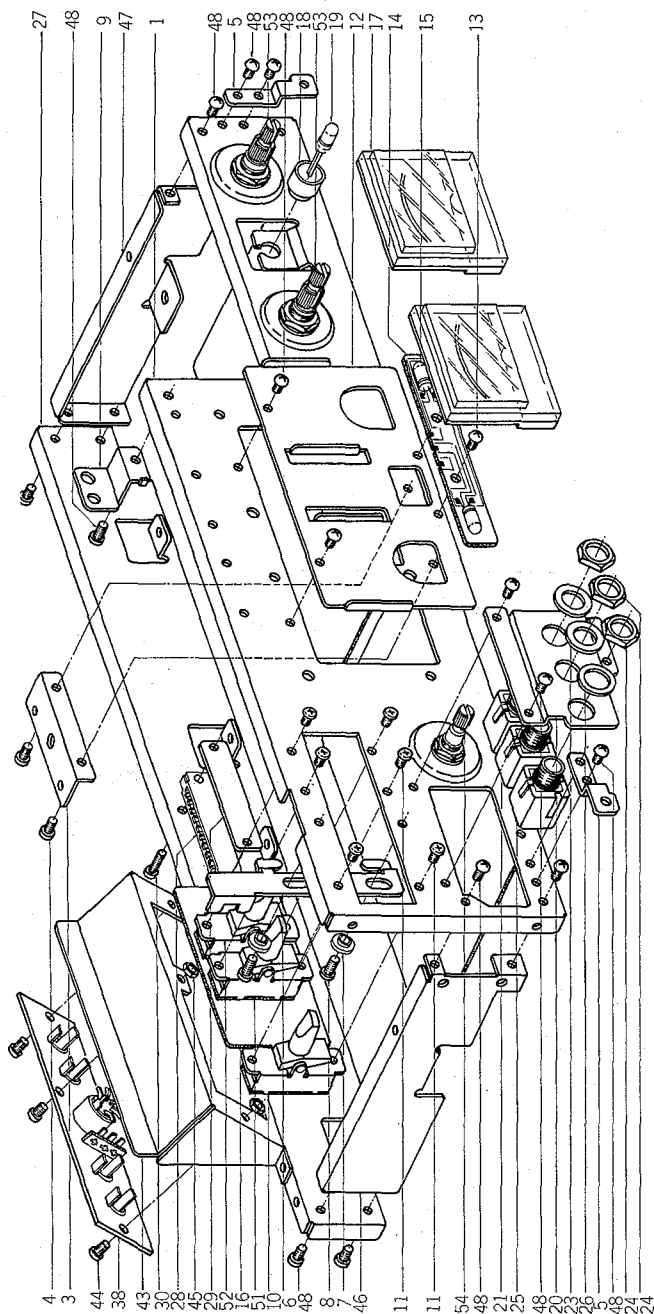


FIG. 16 AMP. ASSEMBLY BLOCK



MAIN AMP. (MS-5024) BLOCK

Symbol No.	Parts No.	Description	Schematic No.	Q'ty
MAIN AMP. BLOCK				
15-1x	BA622405	Main Amp. Block Comp. (230)		1
15-2	BA426183	Main Amp. P.C. Board Comp. (230)		1
15-3	ZS325495	Tapping Screw #2 3x6		8
15-4	EI425193	I.C. Power Amp. STK-015		2
15-5	ZS447805	Tapping Screw #2 3x12 (BR)		4
15-6	EZ627074	Heat-sink Plate, Main Amp.		1
15-7	EC233100	Elect. 1000 μ F 35WV		2
MAIN AMP. P.C. BOARD BLOCK				
15-8x	BA426183	Main Amp. P.C. Board Comp. (230)		1
15-F601	EF460653	Fuse ST-1 1A		2
Capacitor, Vertical Type				
15-C601	EC337487	Hi-Q 470PF(J) 50WV		2
15-C602	EC331705	Elect. 22 μ F 16WV		2
15-C603	EC220678	Elect. 47 μ F 25WV		2
15-C604	EC372148	Elect. 220 μ F 35WV		2
15-C605	EC251291	Mylar 0.1 μ F(K) 50WV		2
15-C606	EC220678	Elect. 47 μ F 25WV		2
15-C607	EC324538	Elect. 330 μ F 25WV		2
15-C608	EC350684	Elect. 22 μ F 25WV		2
15-C610	EC308711	Mylar 0.047 μ F(K) 50WV		2

Carbon Resistor Omitted

AMP. ASSEMBLY BLOCK

Ref. No.	Parts No.	Description	Schematic No.	Q'ty
FRONT CHASSIS BLOCK				
16-1	TA627028	Front Chassis A	MY-5001	1
16-2x	TA628187	Front Chassis B (230)	MY-5001	1
16-3	EZ615115	P.C. Board Support	MY-5004	1
16-4	ZS325495	Tapping Screw #2 3x6		13
16-5	SZ615137	Panel Support	MY-5008	2
16-6	ML615126	Connecting Lever	MY-5005	1
16-7	ZW625241	Graduated Washer	MY-1013	2
16-8	ZS447840	Tapping Screw #2 3x8 (BR)		2
16-9	SZ615148	Amp. Support	MY-5009	1
16-10	ES621977	Lever SW. J-L6005	25-12-19	1
16-11	ZS422076	Screw, pan head 3x5		6
16-12	EZ626938	VU Adapter	MY-5018	1
16-13	ZS609118	Tapping Screw #2 3x5 pan head		2
16-14	EA627276	VU Lamp P.C. Board	MY-5015	1
16-15	EL621167	Pilot Lamp 5.5V 60MA	28-2-36	2
16-16	BA622710	EQ. P.C. Board Comp. MY	MY-5014A	1
16-17	EM558180	VU Meter KL-243S-5	46-1-74	2
16-18	EZ586326	Lamp Holder	LF-5324	1
16-19	EL593662	Cord Lamp 5.5V 60MA (220MMx2)	28-2-37	1
16-20	MZ627287	Jack Bracket	MY-5019	1
16-21	EJ592435	Mic. Jack 2PMJ4	31-2-44	2
16-22x	EZ225180	Nylon Collar, Jack	LD-520	2
16-23	EZ225101	Jack Fiber D9.1x15.4x0.5t	DX-510	2
16-24	ZW554624	E Jack Nut	7-1-56	3
16-25	EJ601481	Mic. Jack 3PMJ4	31-2-45	1
16-26	ZW436026	Washer (SPC) D9.2x15x0.5t		1
REAR CHASSIS BLOCK				
16-27	MZ627030	Rear Chassis	MY-5002	1
16-28	EJ364915	Multi-Jack 10P PB01-10S-24E2G	31-4-15	1
16-29	EZ530021	Jack Nut Plate	ND-5052	1
16-30	ZS462947	Screw, pan head 2.3x12		2
16-31x	ZW562476	Earth Lug M3		1
16-32x	ZS379350	ISO Screw, pan head 3x6		1
16-33x	ZW273802	Toothed Lock Washer M3		1
16-34x	ZW273756	Nut M3		1
16-35x	EJ557245	Nylon Clip SN-3A	2-7-29	1
16-36x	ZS447840	Tapping Screw #2 3x8 (BR)		1
16-37x	EJ373691	Mate-N-Lock Cap Housing 9P 1-480277-0	52-1-2	1
JACK PLATE BLOCK				
16-38	BJ622776	Jack Plate Block Comp.	MY	1
16-39x	ER440921	Carbon/R. RD1/4 27k(J) (Insu. Type)	35-9-5	2
16-40x	ER214290	Carbon/R. RD1/4 4.7k(J) (Insu. Type)	35-9-5	2
16-41x	ER345677	Carbon/R. RD1/4 15k(J) (Insu. Type)	35-9-5	2
16-42x	ER324685	Carbon/R. RD1/4 33k(J) (Insu. Type)	35-9-5	2
16-43	EZ626927	Jack Plate Bracket	MY-5006	1
16-44	ZS355522	Screw, pan head 3x6		4
16-45	ZW554940	Nut M3		4
AMP. ASSEMBLY BLOCK				
16-46	SZ626905	Amp. Side Plate A	MY-5003	1
16-47	SZ626916	Amp. Side Plate B	MY-5003	1
16-48	ZS325495	Tapping Screw #2 3x6		15
16-49x	EZ627041	Amp. Shield Plate	MY-5007	1
16-50x	EJ514607	Wire Clip 220-JD485210-01 (Nylon)	2-7-18	3
16-51	ES622023	Lever SW. J-L6004	25-12-18	1
16-52	ES622034	Lever SW. J-L7003	25-12-20	1
16-53	EV622078	Double Vol. V24L5DPHN A50Kx2	36-3-60	2
16-54	EV622967	2-axial 2-throw/Vol. 50kAx2 (Friction Type)	36-3-61	1

FIG. 17 FINAL ASSEMBLY BLOCK



FINAL ASSEMBLY BLOCK

Ref. No.	Parts No.	Description	Schematic No.	Q'ty
FRONT PANEL BLOCK				
17-1x	BZ622372	Front Panel Block Comp. (230D)	MY	1
17-2x	BZ622383	Front Panel Block Comp. (230)	MY	1
17-3	SP627153	Front Panel A	MY-6003	1
17-4x	SP626815	Front Panel B (230)	MY-6003	1
17-5	SE626940	Reel Table Escutcheon	MY-6004	2
17-6x	ZW575730	Speed Nut (P Type) 3	6-3-6	12
17-7	SC627107	Head Cover Base	MY-6005	1
17-8	SE626951	Counter Escutcheon	MY-6006	1
17-9	SE613888	Button Escutcheon A	CW-6021	3
17-10	SE627300	Operation Button Escutcheon	MY-6007	1
17-11	SE612055	Lamp Lens A (Red)	CH-6314	1
17-12	SE627006	Meter Escutcheon	MY-6018	2
17-13x	ZS447840	Tapping Screw #2 3x8 (BR)		8
17-14x	MH615161	Head Cover Prop	MY-6008	2
17-15x	ZW416698	Nut M4		2
CASE BLOCK				
17-16x	BC622348	Case Block Comp. (230D)	MY	1
17-17x	BC622350	Case Block Comp. (230)	MY	1
17-18	BC627164	Case A (230D)	MY-6013	1
17-19x	BC627175	Case B (230)	MY-6013	1
17-20	SZ632070	Square Foot, w/rubber	MY-6026	2
17-21x	ZS200610	Tapping Screw #1 4x12 (Truss)		4
17-22x	ZS392141	Tapping Screw #1 3x8 (Truss)		2
17-23x	SE627120	Ventilator	MY-6014	1
17-24x	ZW603123	Washer D4.5x13x1t		2
17-25x	ZS608670	Screw, pan head 4x30		2

Ref. No.	Parts No.	Description	Schematic No.	Q'ty
FINAL ASSEMBLY BLOCK				
17-26x	SZ627085	Side Plate A (Right)	MY-6001	1
17-27x	SZ627096	Side Plate B (Left)	MY-6001	1
17-28x	ZS325495	Tapping Screw #2 3x6		20
17-29x	SZ627298	Panel Support B	MY-6002	1
17-30x	SZ627311	Panel Support C	MY-6002	1
17-31x	SA428714	LM Rubber Foot, w/screw	LM-404	4
17-32x	ZW324281	Screw, pan head 4x25	MY-6016	4
17-33	ZS613901	Panel Screw	CW-6031	6
17-34	EZ436217	Collar For Jack	MY-5006	3
17-35x	EZ627355	Meter Cushion		1
17-36x	EF563681	Fuse 1A 250V	39-1-50	1
17-37x	ZS608657	Screw, pan head 4x15		1
17-38x	ZW603123	Washer D4.5x13x1t		1
17-39	SC627118	Head Cover	MY-6011	1
17-40	SM598983	GX Symbol Plate	KJ-6021	1
17-41	SM627333	Model Name Plate GX-230D	MY-6010	1
17-42x	SM627322	Model Name Plate GX-230	MY-6010	1
17-43x	SZ639562	Head Cover Retainer B	ND-6018	2
17-44	SK612033	Double Knob (Upper)	CH-6312	3
17-45	SK548627	Double Knob Upper Rubber Ring	MU-6215	4
17-46	SK612044	Double Knob (Lower)	CH-6313	3
17-47	SK549865	Double Knob Rubber Ring A	TW-6306	3
17-48	SK612156	Single Knob (1), w/knob (2)	CH-6307	1
17-49	SK631326	Pinch Roller Cap C	MS-6020	1
17-50	ZS200395	Screw, countersunk head 3x6		1
17-51	MP625048	Pinch Roller H, LC D=38	LC-321	1

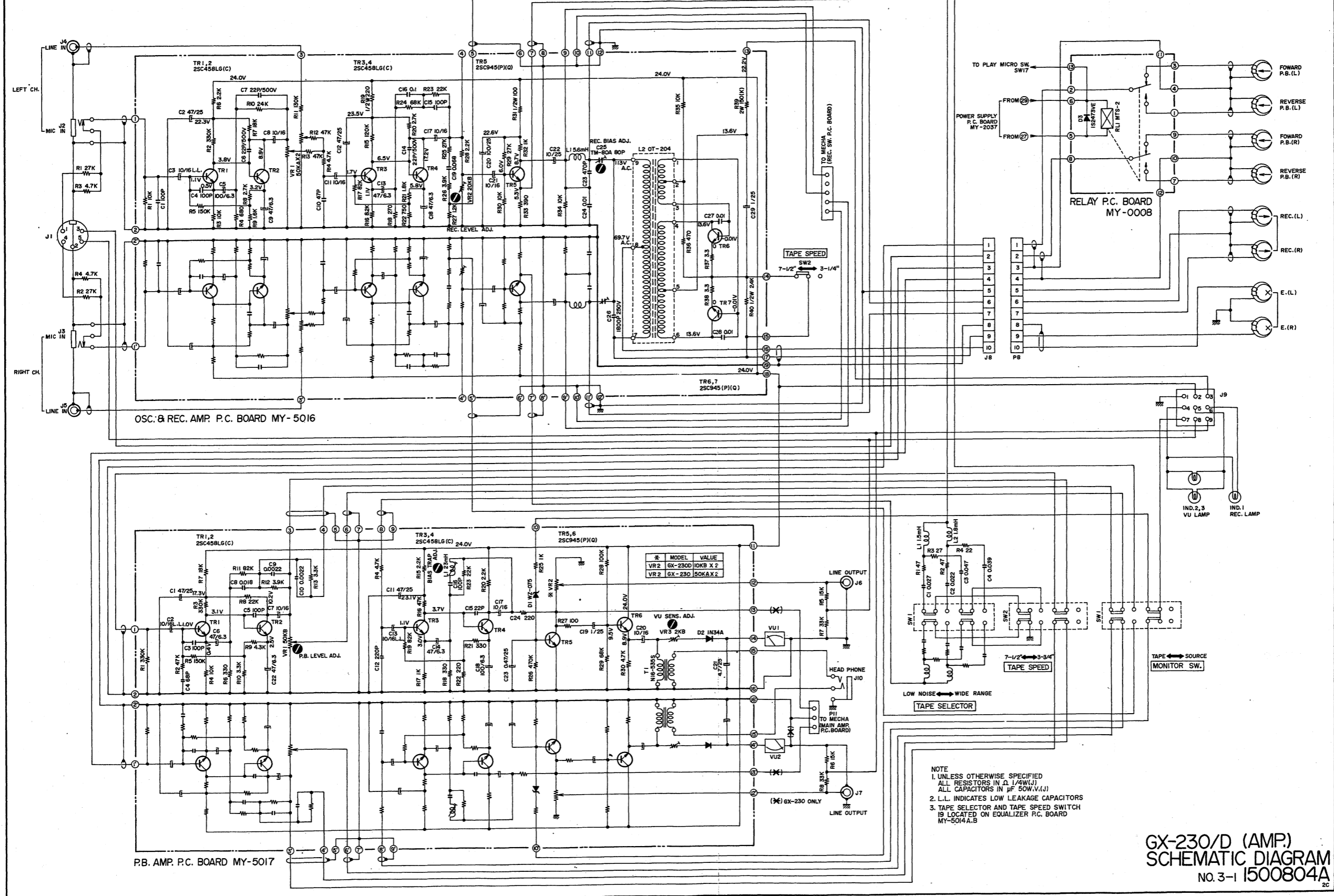
Parts No.	Ref. No. & Symbol No.	Parts No. & Ref. No. & Symbol No.	Parts No.	Ref. No. & Symbol No.	Parts No.	Ref. No. & Symbol No.	Parts No.	Ref. No. & Symbol No.
MZ625307	8-35	ZG303300	1-17	ZS484828	6-17	ZW603775	3-16x	
MZ625318	8-41	ZG317496	2-18	ZS483504	5-24	ZW603786	3-13	
MZ625342	8-44	ZG317777	7-25	ZS483502	8-60	ZW603797	3-14x	
MZ625364	8-50	ZG371114	8-28	ZS499331	6-7	ZW603990	6-2	
MZ625421	5-12	ZG456186	8-43	ZS516644	2-20	ZW604012	6-11	
MZ625443	5-16	ZG466312	1-9	ZS592378	4-25	ZW605698	3-3	
MZ625454	5-18	ZG466312	1-15	ZS593796	6-21	ZW621876	5-41	
MZ625487	8-62	ZG529211	5-28	ZS608264	8-68	ZW622001	5-32	
MZ625498	8-11	ZG535105	8-47	ZS608477	1-21	ZW622012	5-33	
MZ625500	8-53	ZG540551	8-25	ZS608512	1-14	ZW625241	8-33	
MZ625511	8-55	ZG568934	4-4	ZS608657	17-37x	ZW625241	16-7	
MZ625555	8-77	ZG580768	5-37	ZS608670	17-25x	ZW649618	6-24x	
MZ625577	3-17	ZG580768	8-52x	ZS609118	16-13			
MZ625612	4-3	ZG608321	5-42	ZS613901	17-33			
MZ625656	4-13	ZG614970	7-10	ZW259738	5-29			
MZ625678	4-6	ZG625217	8-27	ZW260010	5-39			
MZ625680	4-7	ZG625263	8-37	ZW270088	2-9			
MZ625735	4-19	ZG625331	4-9	ZW270088	4-22			
MZ625746	4-16	ZG625375	8-51	ZW270088	5-8			
MZ625757	4-23	ZG625465	5-20	ZW270088	5-34			
MZ625768	5-2	ZG625667	4-15	ZW273688	7-20			
MZ625770	5-6	ZG646020	6-18	ZW270088	8-54			
MZ625803	7-2	ZG200395	7-29	ZW270101	4-8			
MZ625858	9-29x	ZS200395	17-50	ZW270101	5-30			
MZ626850	4-2	ZS200610	17-21x	ZW270101	6-25			
MZ626861	9-28	ZS201150	6-19	ZW270101	7-9			
MZ627017	9-1	ZS201508	1-25	ZW270134	5-17			
MZ627030	16-27	ZS325495	8-76	ZW290283	2-29			
MZ627142	8-1	ZS325495	9-13	ZW290283	4-18			
MZ627265	7-5	ZS325495	15-3	ZW290283	8-18			
MZ627287	16-20	ZS325495	16-4	ZW272722	9-22x			
MZ627636	9-6	ZS325495	16-48	ZW273633	6-16			
MZ629414	9-61	ZS325495	17-28x	ZW273756	5-27			
MZ647133	9-30x	ZS344463	8-57	ZW273756	7-13			
MZ810191	7-6	ZS355522	16-44	ZW273756	8-5x			
MZ810191	8-42	ZS369900	1-31	ZW273756	8-12x			
SA428714	17-31x	ZS379350	9-40x	ZW273756	9-36			
SB614428	7-26	ZS379350	14-5	ZW273756	12-3			
SB614428	8-75	ZS379350	16-32x	ZW273756	14-4			
SB626962	4-36	ZS392141	17-22x	ZW273756	16-34x			
SB626973	4-37	ZS403222	2-22	ZW273778	2-14x			
SB626984	4-38	ZS413201	1-6	ZW273802	9-17x			
SB626995	4-39	ZS413201	8-3x	ZW273802	16-33x			
SC627107	17-7	ZS413201	9-65x	ZW273835	1-10			
SC627118	17-39	ZS413234	3-12	ZW273881	9-63x			
SE597161	6-14	ZS404044	1-5	ZW273892	9-64x			
SE612055	17-11	ZS414178	9-68x	ZW273914	1-12			
SE613888	17-9	ZS417216	7-24	ZW273914	5-14			
SE626940	17-5	ZS417216	8-22	ZW316800	7-18			
SE626951	17-8	ZS421806	6-31	ZW324281	17-32x			
SE627006	17-12	ZS421806	8-34	ZW334653	5-19			
SE627120	17-23x	ZS421806	9-35	ZW393164	9-24x			
SE627300	17-10	ZS421806	12-2	ZW413188	9-9			
SK548627	17-45	ZS421806	14-3	ZW413256	1-22			
SK549865	17-47	ZS422076	1-36	ZW416698	1-39			
SK597633	3-5	ZS422076	4-14	ZW416698	5-15			
SK612033	17-44	ZS422076	5-5	ZW416698	8-7x			
SK612044	17-46	ZS422076	6-27x	ZW416698	9-66x			
SK612156	17-48	ZS422076	7-30	ZW416698	17-15x			
SK631326	5-40	ZS422076	8-9	ZW419646	7-8			
SK631326	17-49	ZS422076	9-37	ZW420682	8-46			
SM598983	17-40	ZS422076	12-5	ZW436026	16-26			
SM627322	17-42x	ZS422076	16-11	ZW535094	7-28			
SM627333	17-41	ZS422965	7-12	ZW554624	16-24			
SM647245	9-69x	ZS424056	9-7	ZW554940	16-45			
SP627153	17-3	ZS424056	2-21	ZW555693	5-10			
SP626815	17-4x	ZS425981	2-15x	ZW560237	9-23x			
SZ615137	16-5	ZS432674	8-79	ZW562476	9-16x			
SZ615148	16-9	ZS432843	4-35	ZW562476	16-31x			
SZ626905	16-46	ZS432843	8-32	ZW563218	7-21			
SZ626916	16-47	ZS447805	15-5	ZW575730	17-6x			
SZ627085	17-26x	ZS447840	16-8	ZW580173	8-45			
SZ627096	17-27x	ZS447840	16-36x	ZW593212	6-30			
SZ627298	17-29x	ZS447840	17-13x	ZW597543	3-2			
SZ627311	17-30x	ZS455207	9-41x	ZW597622	3-4			
SZ632070	17-20	ZS462925	9-38x	ZW601075	6-15			
SZ639562	17-43x	ZS462947	16-30	ZW601075	7-7			
TA627028	16-1	ZS464692	7-19	ZW603123	17-24x			
TA628187	16-2x	ZS477876	1-29	ZW603123	17-38x			
TG255633	2-7	ZS481724	9-32	ZW603764	3-15x			

SECTION 3

SCHEMATIC DIAGRAM

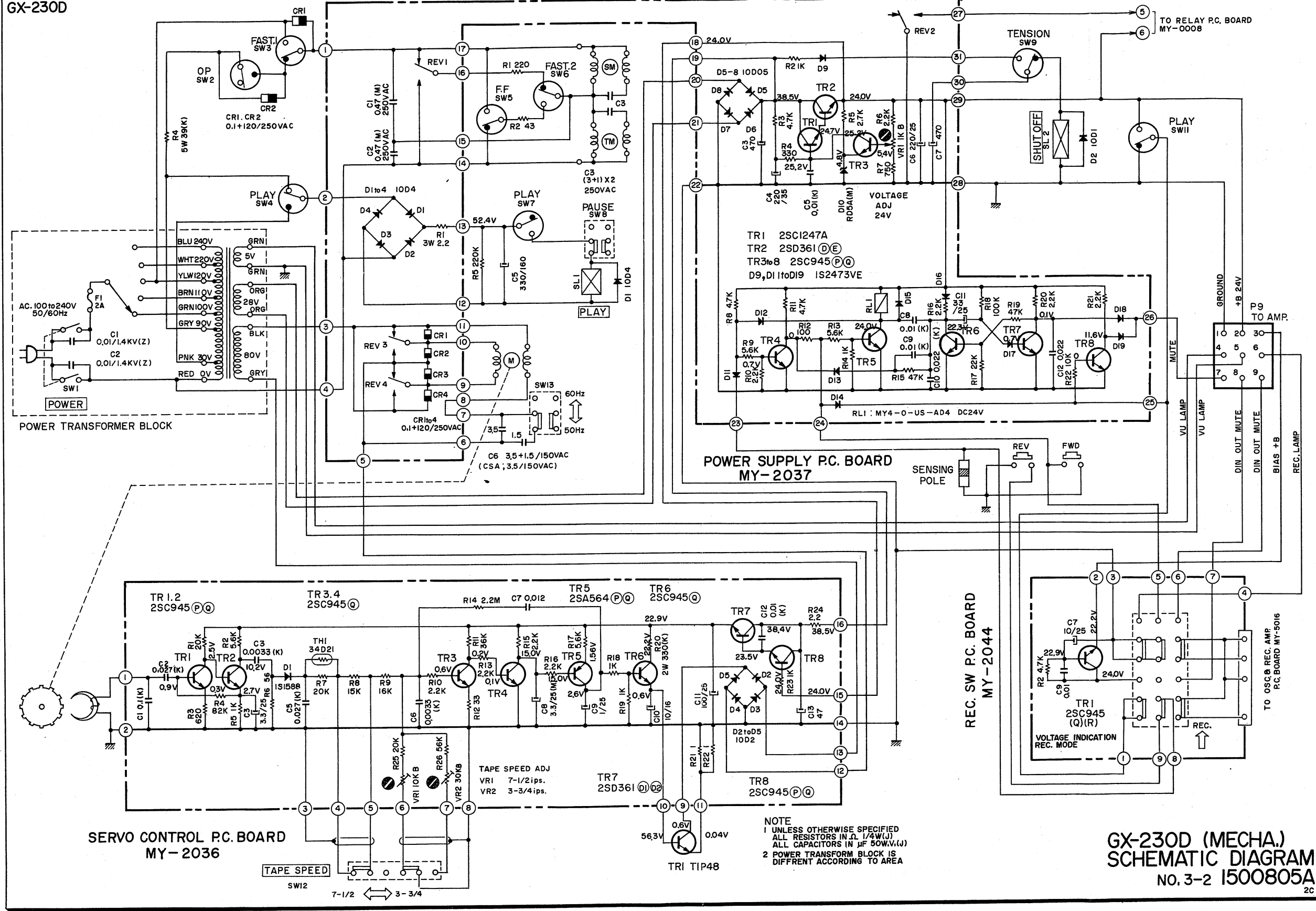
1. GX-230/D SCHEMATIC DIAGRAM
2. GX-230D SCHEMATIC DIAGRAM
3. GX-230 SCHEMATIC DIAGRAM

GX-230/D



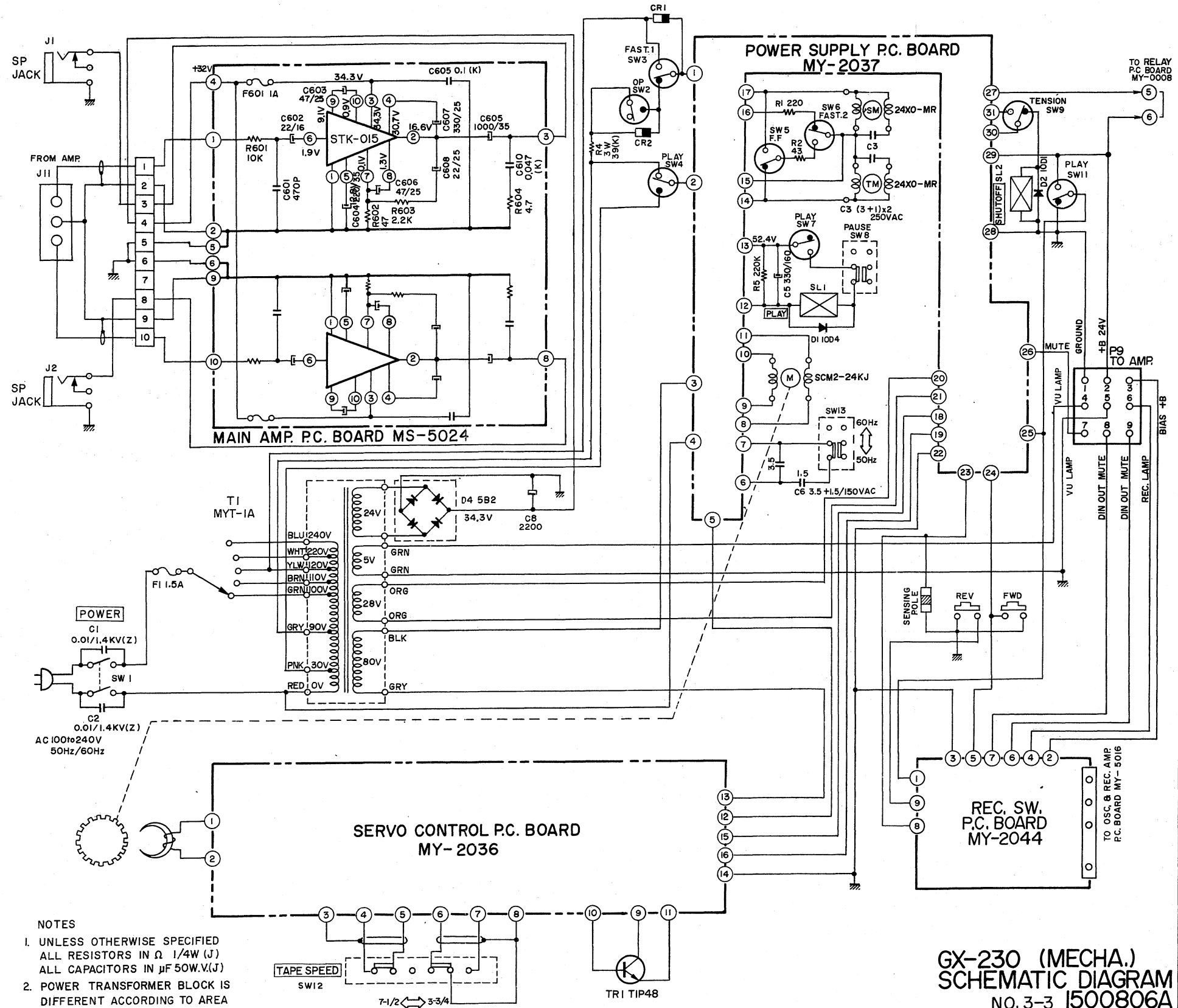
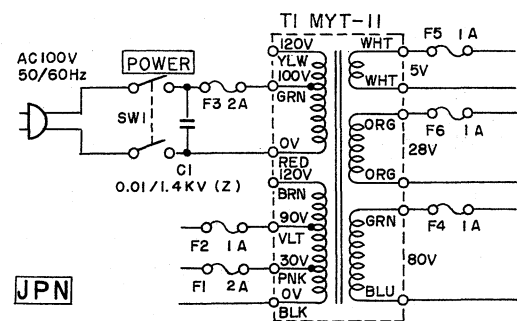
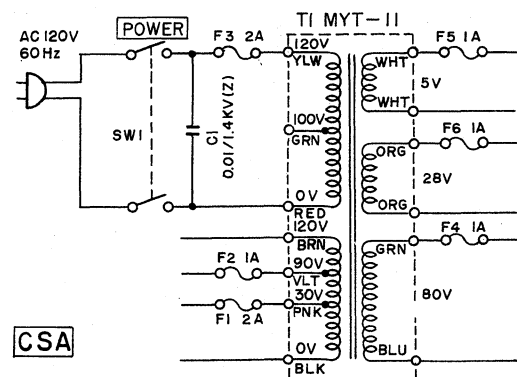
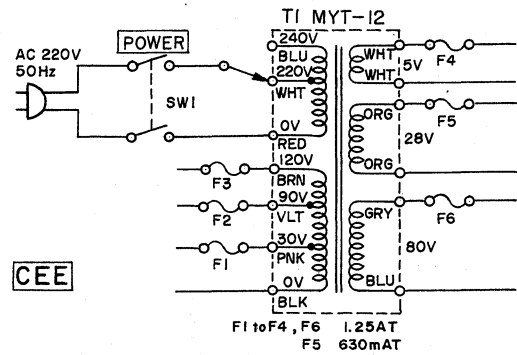
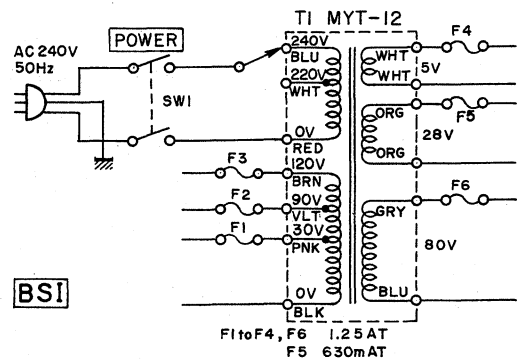
GX-230/D (AMP)
SCHEMATIC DIAGRAM
NO. 3-1 1500804A

GX-230D



GX-230D (MECHA.)
 SCHEMATIC DIAGRAM
 NO. 3-2 1500805A
 2C

GX-230



GX-230/D (0077)

To reduce the Amp. noise and the click noise of the Monitor Switch, PB Amp P.C Board (MY-5017) Condenser C1 47 μ F 25WV and C7 10 μ F 16WV have been changed to the Noiseless type.

EC476965 Elect./C. (Vert. Type) 47 μ F 25WV NL

EC432810 Elect./C. (Vert. Type) 10 μ F 16WV NL

Change from: Serial No. 30712-00001

APPLIED TO AGENT AND SOLE DISTRIBUTOR ONLY

PRICE LIST FOR PARTS

AKAI STEREO RECEIVER

MODEL **GX-230D**

ALSO APPLICABLE TO MODEL GX-230

AKAI TRADING CO., LTD.

12-14, 2-chome, Higashi-Kojiya, Ohta-ku, Tokyo, Japan

Ref. No. & Symbole No.	Parts No.	Unit Price Yen (¥)	Ref. No. & Symbole No.	Parts No.	Unit Price Yen (¥)	Ref. No. & Symbole No.	Parts No.	Unit Price Yen (¥)	Ref. No. & Symbole No.	Parts No.	Unit Price Yen (¥)
HEAD BLOCK			2-7	ZG255633	11	OPERATION BLOCK			PINCH ROLLER PLUNGER/QUICK SW. BLOCK		
1-1x	BH622585	33,300	2-8	MT297663	11	4-1x	BZ622484	3,100	5-1x	BZ622596	2,900
1-2	HZ626837	70	2-9	ZW270088	1	4-2	MZ626850	73	5-2	MZ625768	53
1-3	HZ626848	110	2-10	MT397225	50	4-3	MZ625612	34	5-3	EP573658	860
1-4	MS625072	62	2-11	MT495606	180	4-4	ZG568934	6	5-4x	ED224550	25
1-5	ZS414044	1	2-12x	MT495617	180	4-5	MS625601	50	5-5	ZS422076	1
1-6	ZS413201	1	2-13	MT405268	22	4-6	MZ625678	17	5-6	MZ625770	11
1-7	MH578957	20	2-14x	ZW273778	1	4-7	MZ625680	22	5-7	MH533913	6
1-8	HZ532710	45	2-15x	ZS425981	1	4-8	ZW270101	1	5-8	ZW270088	1
1-9	ZG466312	6	2-16	MT436860	59	4-9	ZG625331	6	5-9	ML625386	20
1-10	ZW273835	1	2-17	MT317485	6	4-10	MS625623	17	5-10	ZW555693	2
1-11	MH529233	20	2-18	ZG317496	6	4-11	ML625645	14	5-11	ML625397	22
1-12	ZW273914	2	2-19	MR317507	28	4-12	ML625634	11	5-12	MZ625421	14
1-13	HZ532732	17	2-20	ZS516644	1	4-13	MZ625656	14	5-13	MS625432	31
1-14	ZS608512	1	2-21	ZS424056	1	4-14	ZS422076	1	5-14	ZW273914	2
1-15	ZG466312	6	2-22	ZS403222	1	4-15	ZG625667	3	5-15	ZW416698	1
1-16	HZ532765	17	2-23	MB625566	39	4-16	MZ625746	53	5-16	MZ625443	8
1-17	ZG303300	6	2-24	ML314976	25	4-17	ML625724	8	5-17	ZW270134	1
1-18	HA625105	17	2-25	MT314987	39	4-18	ZW290283	1	5-18	MZ625454	14
1-19	HA625116	8	2-26	MZ314998	3	4-19	MZ625735	45	5-19	ZW334653	1
1-20	HZ627546	230	2-27	MZ315000	6	4-20	EP494425	560	5-20	ZG625465	6
1-21	ZS608477	1	2-28	MG540551	6	4-21	TC494414	8	QUICK SW. BLOCK		
1-22	ZW413256	2	2-29	ZW290283	1	4-22	ZW270088	1	5-21x	BS622620	360
1-23	HP536501	9,100	2-30	MH317373	17	4-23	MZ625757	11	5-22	EZ625781	14
1-24x	EA463206	3	MAIN MOTOR BLOCK			4-24	ED224526	36	5-23	ES562465	67
1-25	ZS201508	1	3-1x	BM600298	6,800	4-25	ZS592378	1	5-24	ZS483502	1
1-26	HA532743	17	3-2	ZW597543	3	4-26	ES621911	230	5-25	MH528513	6
1-27	HR556582	11,300	3-3	ZW605698	3	4-27x	ER589566	48	5-26	MH527635	6
1-28x	HZ583176	8	3-4	ZW597622	6	4-28	EA615082	17	5-27	ZW273756	1
1-29	ZS477876	1	3-5	SK597633	8	4-29	ET398711	45	5-28	ZG529211	8
1-30	MH625094	11	3-6	BZ600300	770	4-30	EC220994	17	5-29	ZW259738	2
1-31	ZS369900	2	3-7	MV368886	3	4-31	ER212883	8	5-30	ZW270101	1
1-32	EA625138	17	3-8	MZ597666	120	4-32	ES621933	110	5-31	MZ529391	8
1-33	EP621808	490	3-9	MZ597644	34	4-33	EC250885	11	5-32	ZW622001	2
1-34x	ED624903	11	3-10	MZ597690	3	4-34	EZ623878	11	5-33	ZW622012	2
1-35	EZ625127	22	3-11	MS597655	36	4-35	ZS432843	1	5-34	ZW270088	1
1-36	ZS422076	1	3-12	ZS413234	1	4-36	SB626962	22	5-35	MS625184	14
1-37x	EA382713	59	3-13	ZW603786	6	4-37	SB626973	22	5-36	MZ582030	3
1-38	MH625083	12	3-14x	ZW603797	6	4-38	SB626984	22	5-37	ZG580768	6
1-39	ZW416698	1	3-15x	ZW603764	6	4-39	SB626995	22	5-38	MP625048	95
REEL MOTOR/REEL TABLE BLOCK			3-16x	ZW603775	6				5-39	ZW260010	2
2-1	BM314741	5,900	3-17	MZ625577	39				5-40	SK631326	70
2-2x	BR398430	950							5-41	ZW621876	2
2-3x	BR398441	990							5-42	ZG608321	1
2-4	MT488147	59									
2-5	MT255420	22									
2-6	MS342000	45									

NOTE: *mark shows more than 10 pieces

When ordering parts, please describe Parts Number, Serial Number, and Model Number in detail.

Ref. No. & Symbol No.	Parts No.	Unit Price Yen (¥)	Ref. No. & Symbol No.	Parts No.	Unit Price Yen (¥)	Ref. No. & Symbol No.	Parts No.	Unit Price Yen (¥)	Ref. No. & Symbol No.	Parts No.	Unit Price Yen (¥)						
REC., OSC. P.C. BOARD (MY-5016) BLOCK			11-C14 EC329771 17 11-C15 EC399565 6 11-C16 EC290520 8 11-C17 EC320051 17 11-C18 EC220364 20 11-C19 EC450055 17 11-C20 EC320051 17 11-C21 EC450527 17 11-C22 EC329771 17 11-C23 EC268256 17 Carbon Resistor Omitted			POWER SUPPLY P.C. BOARD (MY-2037) BLOCK			14-1x BA622563 3,200 14-TR1 ET538694 59 14-TR2 ET537300 92 14-TR3to7 ET378001 28 14-D1to4 ED224550 25 14-D5to8 ED494583 56 14-D9 ED560913 11 14-D10 ED357794 140 14-D11to17 ED560913 11 14-CR1to4 ER376435 62 14-RL1 EP638763 430 14-VR1 EV554670 25 14-2 EZ626894 130 14-3 ZS421806 1 14-4 ZW273756 1 14-5 ZS379350 1 14-6 EZ615058 50 Capacitor, Vertical Type 14-C1,2 EC350987 67 14-C3 EC564952 81 14-C4 EC372148 39 14-C5 EC250885 11 14-C6 EC313121 36 14-C7 EC564952 81 14-C8,9 EC250885 11 14-C10 EC251087 11 14-C11 EC220612 20 14-C12 EC251087 11 Carbon Resistor Omitted			AMP. ASSEMBLY BLOCK			FRONT CHASSIS BLOCK		
10-1x BA622721 3,300 10-TR1to4 ET523405 39 10-TR5to7 ET478001 28 10-L1 EO321254 22 10-L2 EO383365 87 10-VR1 EV622078 210 10-VR2 EV522797 11 10-R39 ER515070 11 10-R40 ER426892 8 Capacitor, Vertical Type 10-C1 EC290520 8 10-C2 EC220678 22 10-C3 EC432810 17 10-C4 EC290520 8 10-C5 EC220364 20 10-C6,7 EC399565 6 10-C8 EC320051 17 10-C9 EC329771 17 10-C10 EC377212 8 10-C11 EC320051 17 10-C12 EC220678 22 10-C13 EC329771 17 10-C14 EC399565 6 10-C15 EC290520 8 10-C16 EC379170 59 10-C17 EC320051 17 10-C18 EC329771 17 10-C19 EC389496 50 10-C20 EC220151 22 10-C21 EC320051 17 10-C22 EC220994 17 10-C23 EC405898 17 10-C24 EC250841 22 10-C25 EC558202 31 10-C26 EC558235 17 10-C27,28 EC250841 22 10-C29 EC450055 17 Carbon Resistor Omitted			12-1x BA622574 1,300 12-TR1,2 ET478001 28 12-TR3,4 ET399846 45 12-TR5 ET538154 45 12-TR6 ET399846 45 12-TR7 ET523867 98 12-TR8 ET478001 28 12-TH1 ED593357 14 12-D1 ED557447 11 12-D2to5 ED224548 42 12-VR1 EV621955 25 12-VR2 EV621966 25 12-2 ZS421806 1 12-3 ZW273756 1 12-4 EZ615047 48 12-5 ZS422076 1 12-6 EZ615060 31 12-7 EZ615071 25 12-R20 ER593346 22 Capacitor, Vertical Type 12-C1 EC251291 25 12-C2 EC251122 20 12-C3 EC250582 11 12-C4 EC331828 17 12-C5 EC251122 20 12-C6 EC250582 11 12-C7 EC311793 22 12-C8 EC557166 25 12-C9 EC450055 17 12-C10 EC320051 17 12-C11 EC220151 22 12-C12 EC250885 11 12-C13 EC346735 25 Carbon Resistor Omitted			16-1 TA627028 270 16-2x TA628187 260 16-3 EZ615115 14 16-4 ZS325495 1 16-5 SZ615137 39 16-6 ML615126 14 16-7 ZW625241 6 16-8 ZS447840 1 16-9 SZ615148 8 16-10 ES621977 150 16-11 ZS422076 1 16-12 EZ626938 50 16-13 ZS609118 1 16-14 EA627276 17 16-15 EL621167 31 16-16 BA622710 970 16-17 EM558180 400 16-18 EZ586326 11 16-19 EL593662 48 16-20 MZ627287 22 16-21 EJ592435 59 16-22x EZ225180 8 16-23 EZ225101 3 16-24 ZW554624 3 16-25 EJ601481 59 16-26 ZW436026 2 BEAR CHASSIS BLOCK 16-27 MZ627030 210 16-28 EJ364915 90 16-29 EZ530021 3 16-30 ZS462947 1 16-31x ZW562476 3 16-32x ZS379350 1 16-33x ZW273802 1 16-34x ZW273756 1 16-35x EJ557245 6 16-36x ZS447840 1 16-37x EJ373691 90			MAIN AMP. (MS-5024) BLOCK			JACK PLATE BLOCK					
PB. P.C. BOARD (MY-5017) BLOCK			SERVO P.C. BOARD (MY-2036) BLOCK			MAIN AMP. BLOCK			16-38 BJ622776 1,100 16-39x ER440921 8 16-40x ER214290 8 16-41x ER345677 8 16-42x ER324685 8 16-43 EZ626927 150 16-44 ZS355522 1 16-45 ZW554940 1 AMP. ASSEMBLY BLOCK 16-46 SZ626905 45 16-47 ZS626916 45 16-48 ZS325495 1 16-49x EZ627041 230 16-50x EJ514607 11 16-51 ES622023 150 16-52 ES622034 170 16-53 EV622078 210 16-54 EV622967 260								
11-1x BA622732 3,000 11-2x BA622743 3,000 11-TR1to4 ET523405 39 11-TR5,6 ET478001 28 11-D1 ED570475 34 11-D2 ED219464 20 11-L1 EO496361 170 11-T1 BT517274 56 11-VR1 EV464220 11 11-VR2 EV622967 260 11-VR3 EV464196 11 Capacitor, Vertical Type 11-C1 EC220678 22 11-C2 EC432810 17 11-C3 EC290520 8 11-C4 EC467133 6 11-C5 EC290520 8 11-C6 EC329771 17 11-C7 EC320051 17 11-C8 EC389485 22 11-C9,10 EC250683 22 11-C11 EC220678 22 11-C12 EC329850 8 11-C13 EC432810 17			13-1x BA622710 970 13-SW1 ES622023 150 13-SW2 ES622034 170 13-L1 EO469178 22 13-L2 EO380564 22 Capacitor, Vertical Type 13-C1 EC329861 39 13-C2 EC368335 28 13-C3 EC379214 17 13-C4 EC379192 17 Carbon Resistor Omitted			15-1x BA622405 4,900 15-2 BA426183 990 15-3 ZS325495 1 15-4 EI425193 1,200 15-5 ZS447805 1 15-6 EZ627074 1,000 15-7 EC233100 230 MAIN AMP. P.C. BOARD BLOCK 15-8x BA426183 990 15-F601 EF460653 39 Capacitor, Vertical Type 15-C601 EC337487 11 15-C602 EC331705 17 15-C603 EC220678 22 15-C604 EC372148 39 15-C605 EC251291 25 15-C606 EC220678 22 15-C607 EC324538 39 15-C608 EC350684 17 15-C610 EC308711 20 Carbon Resistor Omitted			EQ. P.C. BOARD (MY-5014A) BLOCK								

Ref. No. & Symbol No.	Parts No.	Unit Price Yen (¥)	Ref. No. & Symbol No.	Parts No.	Unit Price Yen (¥)	Ref. No. & Symbol No.	Parts No.	Unit Price Yen (¥)	Ref. No. & Symbol No.	Parts No.	Unit Price Yen (¥)
FINAL ASSEMBLY BLOCK											
FRONT PANEL BLOCK											
17-1x	BZ622372	6,700									
17-2x	BZ622383	6,700									
17-3	SP627153	5,300									
17-4x	SP626815	5,300									
17-5	SE626940	67									
17-6x	ZW575730	3									
17-7	SC627107	160									
17-8	SE626951	25									
17-9	SE623888	8									
17-10	SE627300	22									
17-11	SE612055	8									
17-12	SE627006	34									
17-13x	ZS447840	1									
17-14x	MH615161	8									
17-15x	ZW416698	1									
CASE BLOCK											
17-16x	BC622348	2,900									
17-17x	BC622350	2,900									
17-18	BC627164	2,100									
17-19x	BC627175	2,100									
17-20	SZ632070	87									
17-21x	ZS200610	1									
17-22x	ZS392141	1									
17-23x	SE627120	240									
17-24x	ZW603123	2									
17-25x	ZS608670	3									
FINAL ASSEMBLY BLOCK											
17-26x	SZ627085	360									
17-27x	SZ627096	400									
17-28x	ZS325495	1									
17-29x	SZ627298	25									
17-30x	SZ627311	28									
17-31x	SA428714	11									
17-32x	ZW324281	1									
17-33	ZS623901	31									
17-34	EZ436217	8									
17-35x	EZ627355	45									
17-36x	EF563681	14									
17-37x	ZS608657	3									
17-38x	ZW603123	2									
17-39	SC627118	150									
17-40	SM598983	53									
17-41	SM627333	100									
17-42x	SM627322	100									
17-43x	SZ639562	3									
17-44	SK612033	56									
17-45	SK548627	36									
17-46	SK612044	56									
17-47	SK549865	34									
17-48	SK612156	78									
17-49	SK631326	70									
17-50	ZS200395	1									
17-51	MP625048	95									